



US012080539B2

(12) **United States Patent**  
**Taghioskoui**

(10) **Patent No.:** **US 12,080,539 B2**  
(45) **Date of Patent:** **\*Sep. 3, 2024**

(54) **APPARATUS, SYSTEM AND METHOD FOR TRANSPORTING BIOLOGICAL SAMPLES BETWEEN TWO ANALYTICAL SYSTEMS**

(71) Applicant: **Trace Matters Scientific LLC**, North Bethesda, MD (US)

(72) Inventor: **Mazdak Taghioskoui**, North Bethesda, MD (US)

(73) Assignee: **Trace Matters Scientific LLC**, North Bethesda, MD (US)

(\*) Notice: Subject to any disclaimer, the term of this patent is extended or adjusted under 35 U.S.C. 154(b) by 0 days.

This patent is subject to a terminal disclaimer.

(21) Appl. No.: **18/224,460**

(22) Filed: **Jul. 20, 2023**

(65) **Prior Publication Data**  
US 2024/0030017 A1 Jan. 25, 2024

**Related U.S. Application Data**  
(63) Continuation of application No. 17/570,279, filed on Jan. 6, 2022, now Pat. No. 11,756,779, which is a (Continued)

(51) **Int. Cl.**  
**H01J 49/06** (2006.01)  
**G01N 27/62** (2021.01)  
**G01N 27/622** (2021.01)

(52) **U.S. Cl.**  
CPC ..... **H01J 49/062** (2013.01); **G01N 27/622** (2013.01); **H01J 49/068** (2013.01)

(58) **Field of Classification Search**  
CPC ..... H01J 49/062; H01J 49/068; G01N 27/622  
(Continued)

(56) **References Cited**

U.S. PATENT DOCUMENTS

5,087,815 A 2/1992 Schultz et al.  
5,572,035 A 11/1996 Franzen  
(Continued)

FOREIGN PATENT DOCUMENTS

EP 1566828 2/2005  
EP 1825495 11/2011  
(Continued)

OTHER PUBLICATIONS

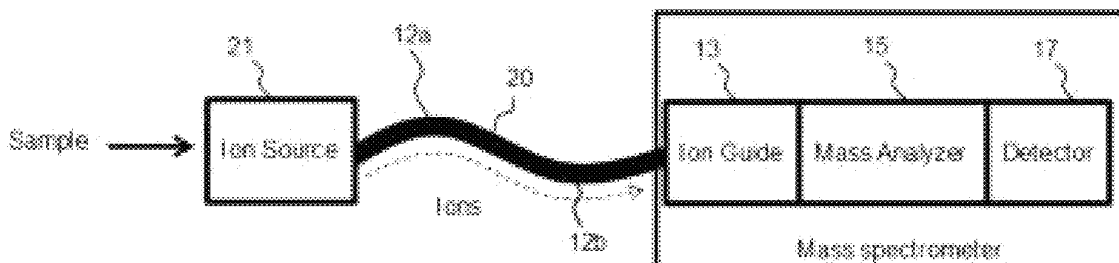
Ehlert, Sven, et al., "Rapid on-site detection of explosives on surfaces by ambient pressure laser desorption and direct inlet single photon ionization or chemical ionization mass spectrometry", *Anal Bioanal Chem*, 2013, pp. 5979-6993, Springer.  
(Continued)

*Primary Examiner* — Nicole M Ippolito  
(74) *Attorney, Agent, or Firm* — Lee & Hayes, P.C.

(57) **ABSTRACT**

A system that includes two analytical system utilizing charged particles, an ion transfer device that connects the two analytical systems and transports the charged particles from one of the analytical systems to the other of the analytical systems. The ion transfer device includes a plurality of differential pumping stages, a plurality of vacuum pumps, and a plurality of ion guides located inside the plurality of differential pumping stages such that the plurality of ion guides transport the charged particles from one to the other of the analytical systems, and such that the plurality of differential pumping stages connect the first analytical system on one end to the second analytical system on the other end to receive the charged particles from the one end connected to the first analytical system and transport and deliver the charged particles to the other end connected to the second analytical system.

**31 Claims, 26 Drawing Sheets**



**Related U.S. Application Data**

continuation of application No. 17/071,458, filed on Oct. 15, 2020, now Pat. No. 11,222,776, which is a continuation of application No. 16/350,396, filed on Jul. 12, 2018, now Pat. No. 10,840,077.

(60) Provisional application No. 62/680,592, filed on Jun. 5, 2018.

(58) **Field of Classification Search**

USPC ..... 250/281, 282, 283, 288  
See application file for complete search history.

(56) **References Cited**

U.S. PATENT DOCUMENTS

6,107,328	A	8/2000	Parsons	
6,107,628	A	8/2000	Smith et al.	
6,231,054	B1	5/2001	Allen, Jr. et al.	
6,369,383	B1	4/2002	Cornish et al.	
6,583,408	B2	6/2003	Smith et al.	
6,849,848	B2	2/2005	Baranov et al.	
7,365,317	B2	4/2008	Whitehouse et al.	
7,391,021	B2	6/2008	Stoermer et al.	
7,423,261	B2	9/2008	Truche et al.	
7,492,822	B2	2/2009	Cotton et al.	
7,700,913	B2	4/2010	Musselman	
7,705,297	B2	4/2010	Musselman	
7,786,435	B2	8/2010	Whitehouse et al.	
7,838,826	B1	11/2010	Park	
7,888,635	B2	2/2011	Belov et al.	
7,919,747	B2	4/2011	Green et al.	
7,928,364	B2	4/2011	Musselman	
7,982,183	B2	7/2011	Makarov et al.	
8,008,617	B1	8/2011	Berends, Jr. et al.	
8,049,169	B2	11/2011	Satake et al.	
8,222,597	B2	7/2012	Kim et al.	
8,242,440	B2	8/2012	Splendore et al.	
8,309,916	B2	11/2012	Wouters et al.	
8,507,848	B1	8/2013	Ding et al.	
8,637,817	B1	1/2014	Krutchinsky et al.	
8,759,757	B2	6/2014	Hardman et al.	
8,835,839	B1	9/2014	Anderson et al.	
8,969,800	B1	3/2015	Tolmachev et al.	
9,324,548	B1	4/2016	Benter et al.	
9,966,244	B2	5/2018	Anderson et al.	
10,354,851	B2	7/2019	Moellers et al.	
10,460,920	B1	10/2019	Smith et al.	
10,840,077	B2*	11/2020	Taghioskoui	H01J 49/068
11,183,377	B2	11/2021	Bevis et al.	
11,222,776	B1*	1/2022	Taghioskoui	H01J 49/062
11,598,734	B2	3/2023	Wirtz et al.	
11,756,779	B2*	9/2023	Taghioskoui	H01J 49/068 250/288
2001/0020679	A1	9/2001	Franzen	
2004/0026611	A1	2/2004	Bateman et al.	
2007/0138384	A1	6/2007	Keiser	
2007/0158545	A1	7/2007	Verentchikov	
2007/0278397	A1	12/2007	Bateman	
2008/0116370	A1	5/2008	Splendore et al.	
2008/0142698	A1	6/2008	Atherton et al.	
2008/0308721	A1	12/2008	Senko et al.	
2009/0045330	A1	2/2009	Wang et al.	
2009/0173880	A1	7/2009	Bateman et al.	
2009/0206250	A1	8/2009	Wollnik	
2009/0321655	A1	12/2009	Makarov et al.	
2011/0024618	A1	2/2011	Brown et al.	
2011/0049357	A1	3/2011	Giles	
2011/0101216	A1	5/2011	Musselman	
2011/0168882	A1	7/2011	Hoyes	
2011/0192969	A1	8/2011	Verentchikov	
2011/0240844	A1	10/2011	Ouyang et al.	
2012/0153141	A1	6/2012	Wouters et al.	
2012/0261570	A1	10/2012	Shvartsburg et al.	
2012/0312979	A1	12/2012	Cooks et al.	
2013/0175440	A1	7/2013	Perelman et al.	

2013/0306861	A1	11/2013	Papanastasiou et al.
2015/0076343	A1	3/2015	Tolmachev et al.
2015/0155150	A1	6/2015	Bateman
2015/0287578	A1	10/2015	Bendall et al.
2015/0364309	A1	12/2015	Welkie
2016/0181080	A1	6/2016	Williams
2016/0225598	A1	8/2016	Ristroph
2016/0322209	A1	11/2016	Wouters et al.
2017/0076931	A1	3/2017	Ibrahim et al.
2017/0184552	A1	6/2017	Guzzonato et al.
2017/0350860	A1	12/2017	Rather et al.
2018/0238776	A1	8/2018	Karancsi et al.
2018/0323050	A1	11/2018	Smith
2019/0267221	A1	8/2019	Pringle et al.
2019/0371591	A1	12/2019	Taghioskoui
2020/0015717	A1	1/2020	Taghioskoui
2020/0111655	A1	4/2020	Taghioskoui
2022/0005682	A1	1/2022	Chung et al.
2022/0202317	A1	6/2022	Taghioskoui
2022/0208536	A1	6/2022	Taghioskoui
2023/0162967	A1	5/2023	Achim et al.

FOREIGN PATENT DOCUMENTS

EP	3038134	12/2015
EP	3252460	4/2017
GB	2499587	8/2013
WO	WO2016034125	3/2016
WO	WO2018048494	3/2018

OTHER PUBLICATIONS

Garimella et al., "Simulation of Electric Potentials and Ion Motion in Planar Electrode Structures for Lossless Ion Manipulations (SLIM)," *J. Am. Soc. Mass Spectrom.* 25(11):1890-1896 (Nov. 2014).

Giles et al., "A method for direct measurement of ion mobilities using a travelling wave ion guide," *International Journal of Mass Spectrometry*, 298(1 ): 10-16 (Dec. 2010).

Giles et al., "Applications of a travelling wave-based radio-frequency-only stacked ring ion guide," *Rapid Commun. Mass Spectrom.*, 18(20):2401-2414 (Oct. 30, 2004).

Giles et al., "Enhancements in travelling wave ion mobility resolution," *Rapid Commun. Mass Spectrom.*, 25 (11):1559-1566 (Jun. 15, 2011).

Glaskin et al., "Ion Trapping for Ion Mobility Spectrometry Measurements in a Cyclical Drift Tube," *Anal. Chem.*, 85 (15):7003-7008 (Jul. 2013).

Hamid et al., "Characterization of Traveling Wave Ion Mobility Separations in Structures for Lossless Ion Manipulations," *Anal. Chem.*, 87: 11301-11308 (Oct. 28, 2015).

Hars, et al., "Flexible ion conduit for use under rarefied atmospheric conditions", *Review of Scientific Instruments* 68, 3351 (1997), Jun. 4, 1998; entire document; especially Fig. 2, 3, pp. 3351-3354; < <https://aip.scitation.org/doi/abs/10.1063/1.1148296> > last visited May 27, 2020.

Hendricks, Paul I, et al., "Autonomous in Situ Analysis and Real-Time Chemical Detection Using a Backpack Miniature Mass Spectrometer: Concept, Instrumentation Development, and Performance" *Analytical Chemistry*, 2014, [pp. 2900-2908, 86, ACS Publications.

Ibrahim et al., "Development of a new ion mobility (quadrupole) time-of-flight mass spectrometer," *International Journal of Mass Spectrometry*, 377:655-662 (Feb. 1, 2015).

Ibrahim et al., "New frontiers for mass spectrometry based upon structures for lossless ion manipulations," *The Analyst*, 142(7):1010-1021, Mar. 3, 2017, 24 pages.

Merenbloom et al., "Effects of Select Anions from the Hofmeister Series on the Gas-Phase Conformations of Protein Ions Measured with Traveling-Wave Ion Mobility Spectrometry/Mass Spectrometry," *J. Am. Soc. Mass Spectrom.* 22:1978-1990 (Nov. 22, 2011).

Non Final Office Action dated Jan. 7, 2020 for U.S. Appl. No. 16/151,162 "Reconfigurable Sequentially-Packed Ion (SPION) Transfer Device" Taghioskoui, 9 pages.

(56)

**References Cited**

## OTHER PUBLICATIONS

Office Action for U.S. Appl. No. 17/071,458, mailed on May 27, 2021, Taghioskoui, "Ion Analysis System and Method With Multiple Ionization Sources and Analyzers", 5 pages.

Office Action for U.S. Appl. No. 17/570,279, mailed on Oct. 14, 2022, Taghioskoui, "Ion Analysis System and Method With Multiple Ionization Sources and Analyzers", 5 pages.

Office Action for U.S. Appl. No. 16/509,016, mailed on Feb. 22, 2021, Taghioskoui, "Reconfigurable Sequentially-Packed Ion (SPION) Transfer Device and System", 10 pages.

Non Final Office Action dated May 1, 2020 for U.S. Appl. No. 16/350,396 "Reconfigurable Sequentially-Packed Ion (SPION) Transfer Device" Taghioskoui, 10 pages.

Office Action for U.S. Appl. No. 16/151,162, mailed on Jun. 26, 2019, Taghioskoui, "Reconfigurable Sequentially-Packed Ion (SPION) Transfer Device", 7 pages.

PCT Search Report and Written Opinion mailed on May 22, 2020 for PCT Application No. PCT/IB19/55944, 15 pages.

Pringle et al., "An investigation of the mobility separation of some peptide and protein ions using a new hybrid quadrupole/travelling wave IMS/oa-ToF instrument," International Journal of Mass Spectrometry, 261 (1): 1-12 (Mar. 1, 2007).

Schelten, J et al., "Properties and limitations of an Ion Guide, Nuclear Instruments and Methods in Physics Research" A292, 1990, 45-51, North Holland, Elsevier Science Publishers BY.

Shvartsburg et al., "Fundamentals of Traveling Wave Ion Mobility Spectrometry," Anal. Chem., 80(24):9689-9699 (Dec. 15, 2008).

Smith et al., "Deciphering drift time measurements from travelling wave ion mobility spectrometry-mass spectrometry studies," European Journal of Mass Spectrometry, 15(2): 113-130 (Jan. 2009).

Sobott et al., "A Tandem Mass Spectrometer for Improved Transmission and Analysis of Large Macromolecular Assemblies," Anal. Chem., 74(6):1402-1407 (Apr. 2002).

Tolmachev et al., "Characterization of Ion Dynamics in Structures for Lossless Ion Manipulations," Anal. Chem., 86 (18):9162-9168 (Sep. 16, 2014).

Tridas, Eric Miguel et al., "High transmission 3D printed flex-PCB-based ion funnel", Journal of Mass Spectrometry 2015, pp. 938-943, 50, John Wiley & Sons.

Webb et al., "Experimental Evaluation and Optimization of Structures for Lossless Ion Manipulations for Ion Mobility Spectrometry with Time-of-Flight Mass Spectrometry," Anal. Chem., 86(18):9169-9176 (Sep. 5, 2014).

Webb et al., "Mobility-Resolved Ion Selection in Uniform Drift Field Ion Mobility Spectrometry/Mass Spectrometry: Dynamic Switching in Structures for Lossless Ion Manipulations," Anal. Chem., 86(19):9632-9637 (Oct. 7, 2014).

Zhang et al., "Ion Trapping, Storage, and Ejection in Structures for Lossless Ion Manipulations," Anal. Chem., 87 (12):6010-6016 (May 2015).

Zhong et al., "Characterizing the resolution and accuracy of a second-generation traveling-wave ion mobility separator for biomolecular ions," The Royal Society of Chemistry, 136(17):3534-3541 (Mar. 2011).

Office Action for U.S. Appl. No. 17/570,235, mailed on Mar. 21, 2024, Taghioskoui, "Reconfigurable Sequentially-Packed Ion (SPION) Transfer Device and System", 17 Pages.

Passarelli, Melissa K et al. "The 3D OrbiSIMS label-free metabolic imaging with subcellular lateral resolution and high mass-resolving power", Nature Methods, vol. 14. No. 12, Dec. 2017, 15 pages.

\* cited by examiner

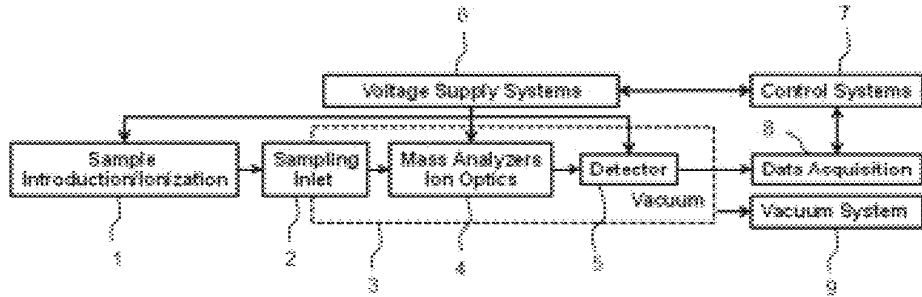


FIG. 1A (Prior Art)

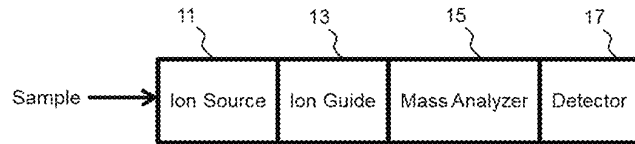


FIG. 1B (Prior Art)

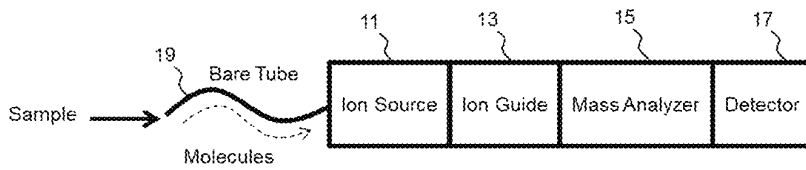


FIG. 1C (Prior Art)

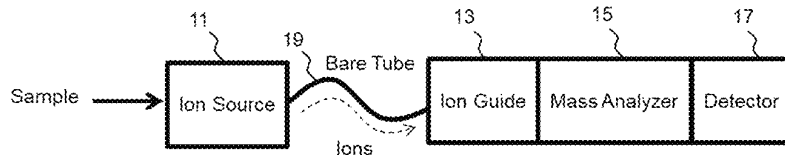


FIG. 1D (Prior Art)

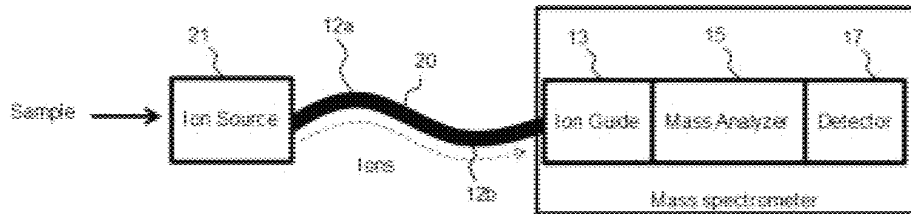


FIG. 2A

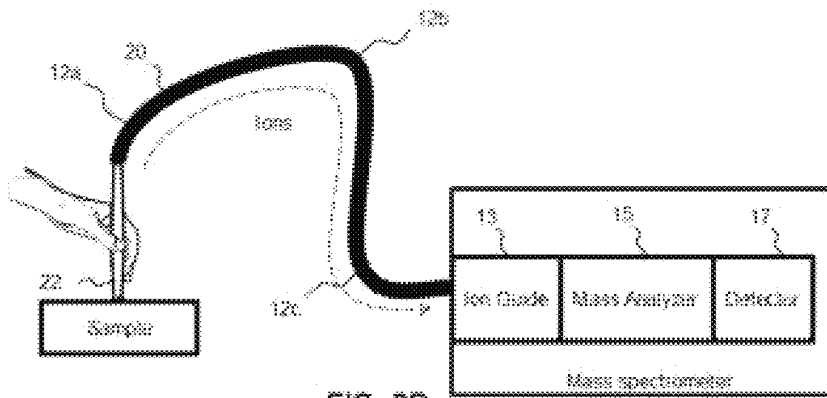


FIG. 2B

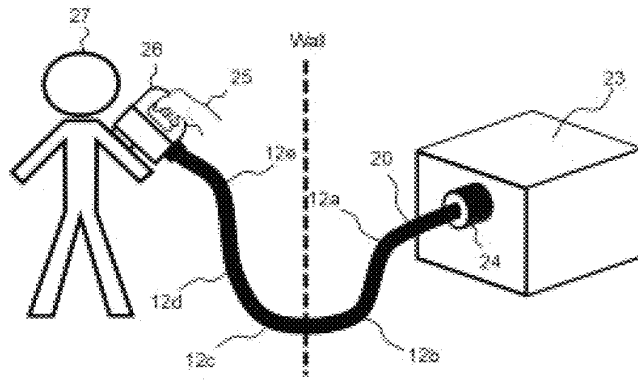


FIG. 2C

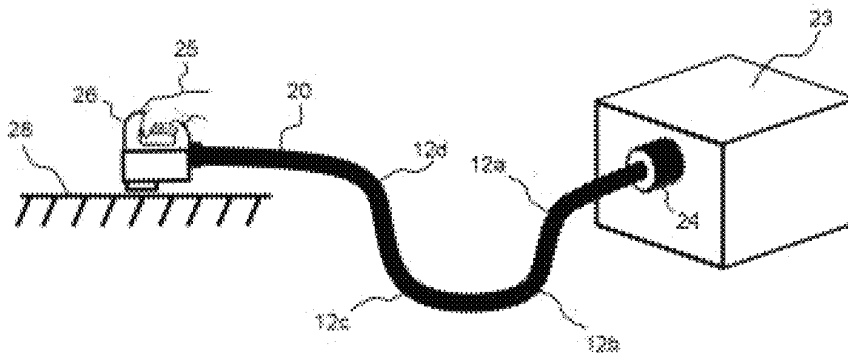


FIG. 2D

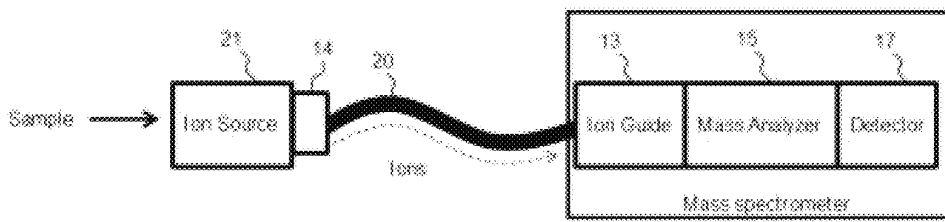


FIG. 2E

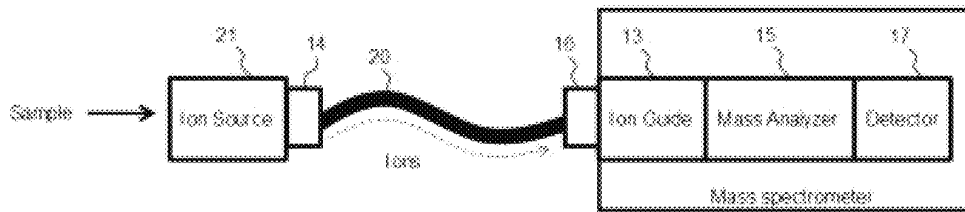


FIG. 2F

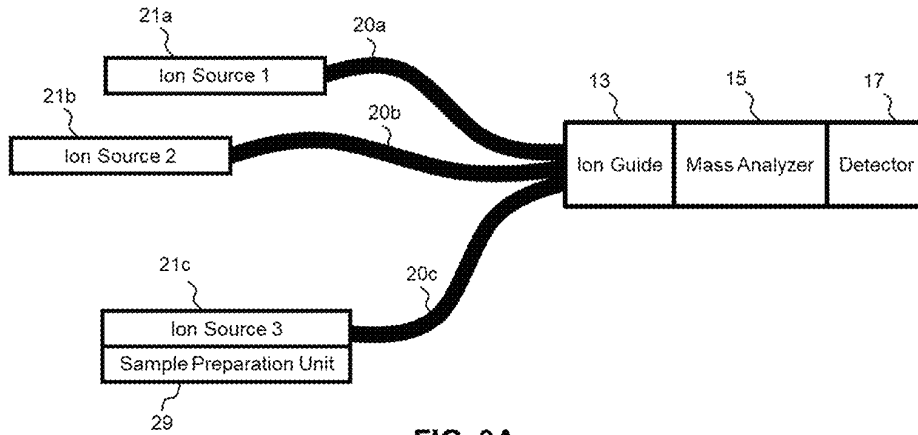


FIG. 3A

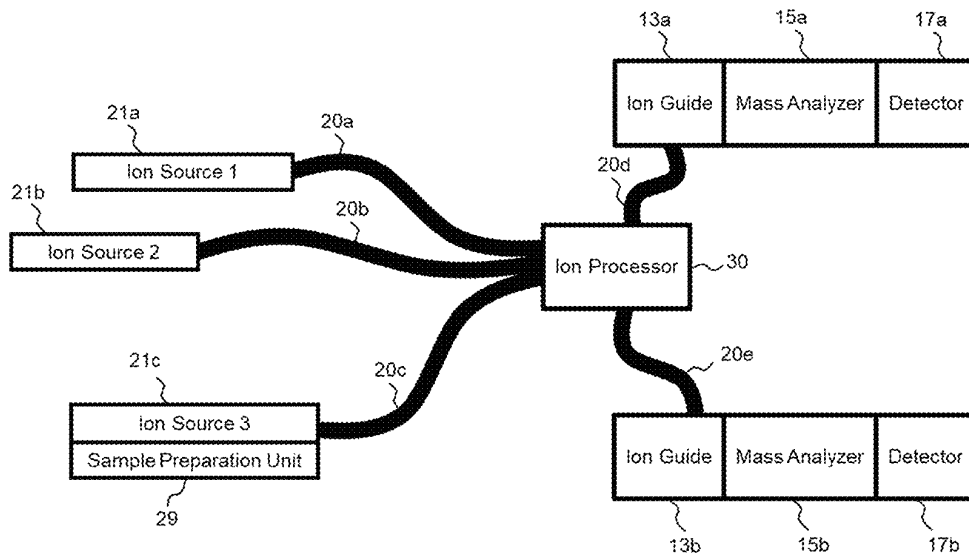


FIG. 3B



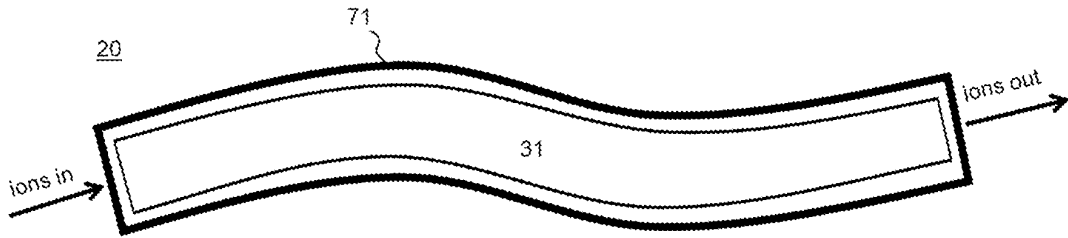


FIG. 4A

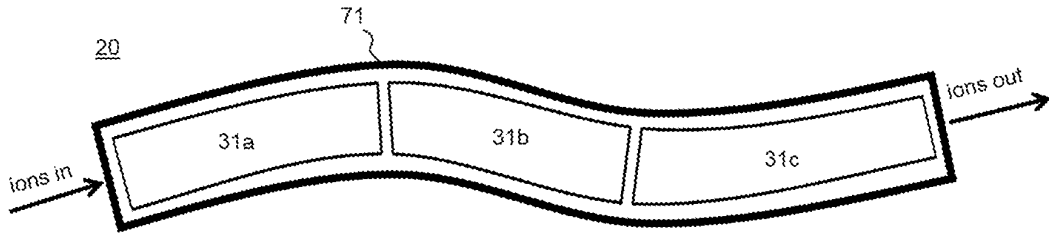


FIG. 4B

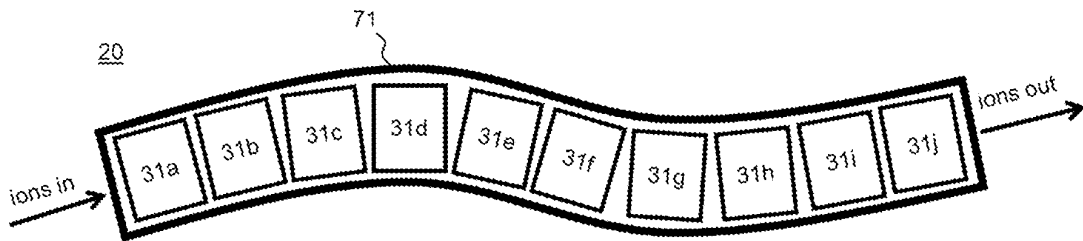


FIG. 4C

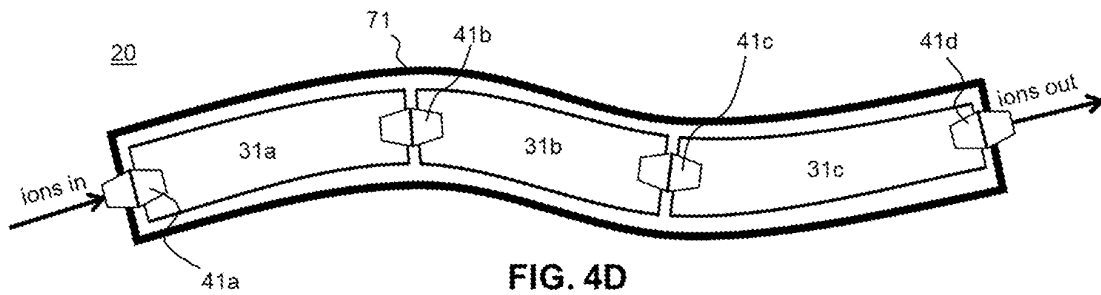


FIG. 4D

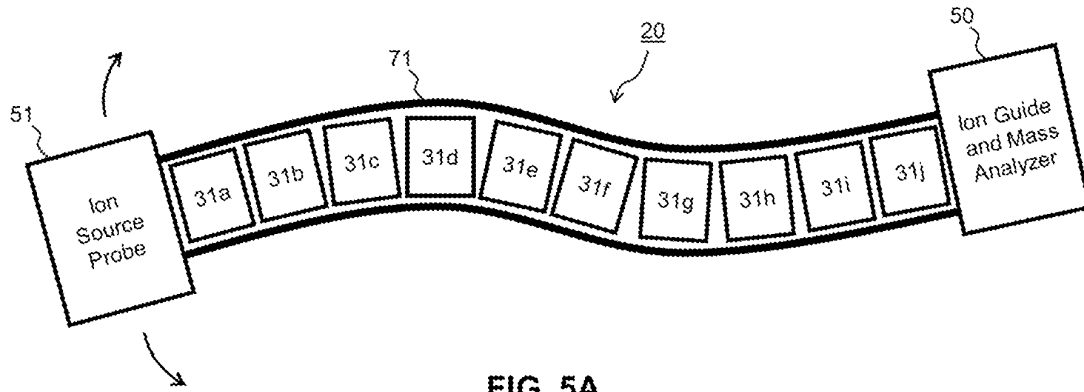


FIG. 5A

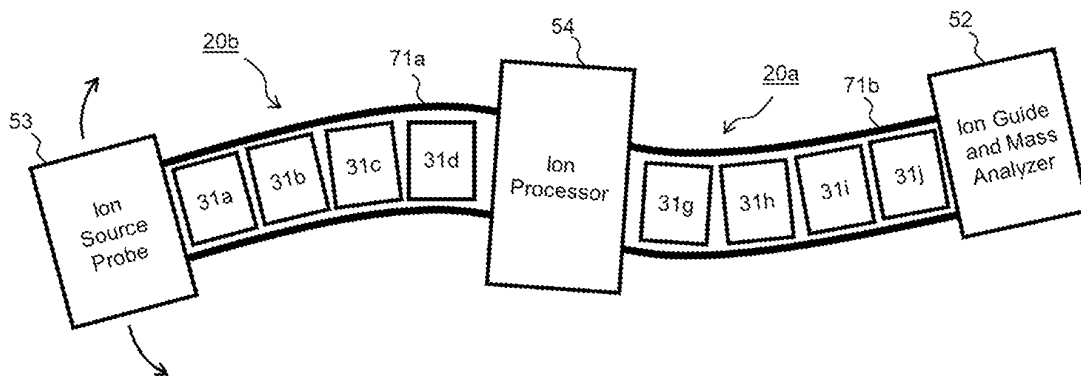


FIG. 5B

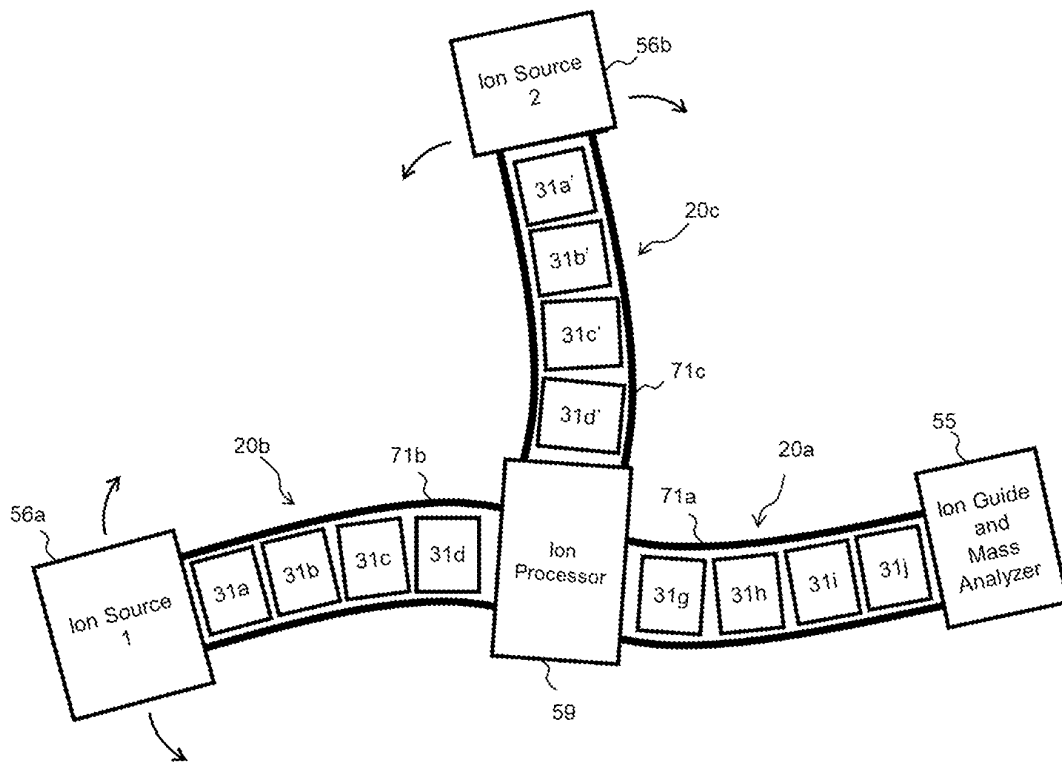


FIG. 5C

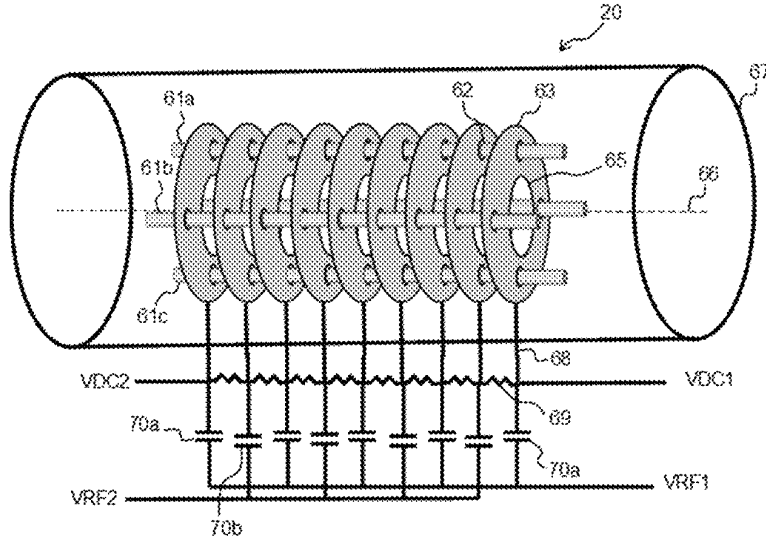


FIG. 6A

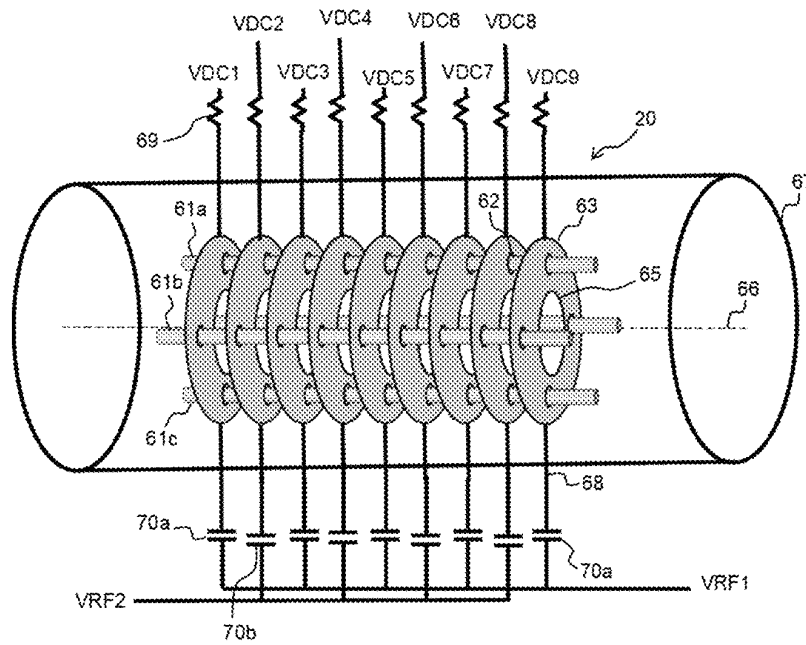


FIG. 6B

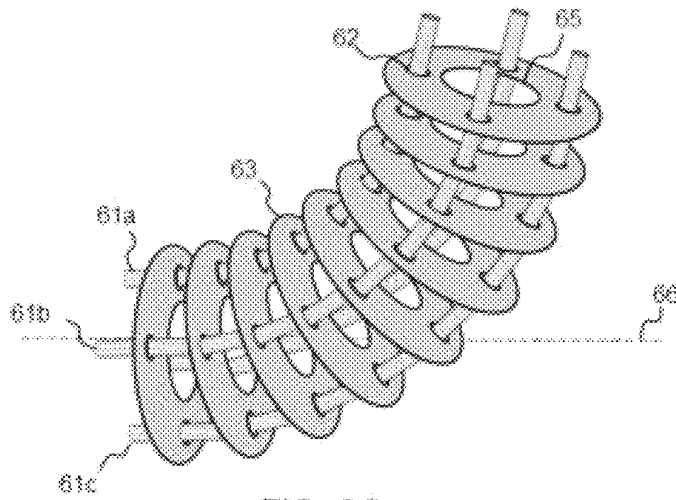


FIG. 6C

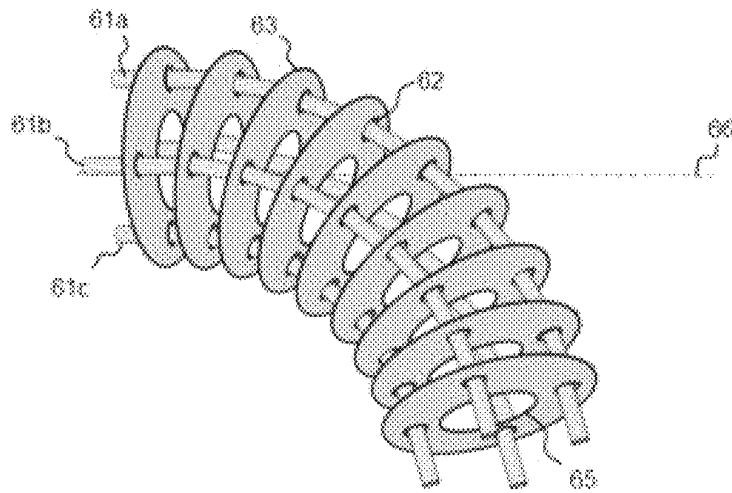


FIG. 6D

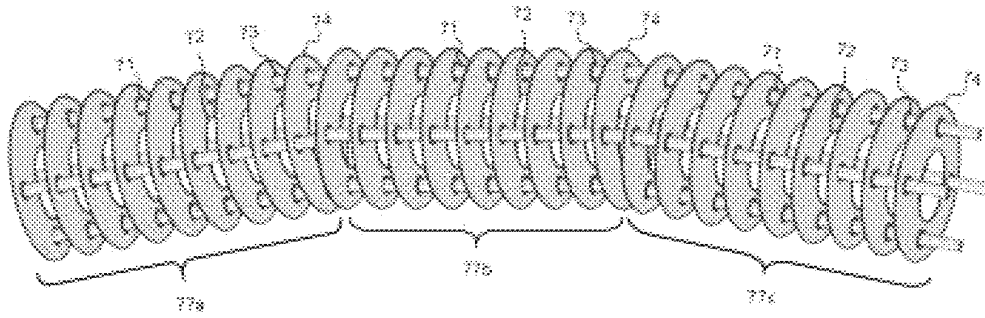


FIG. 7A

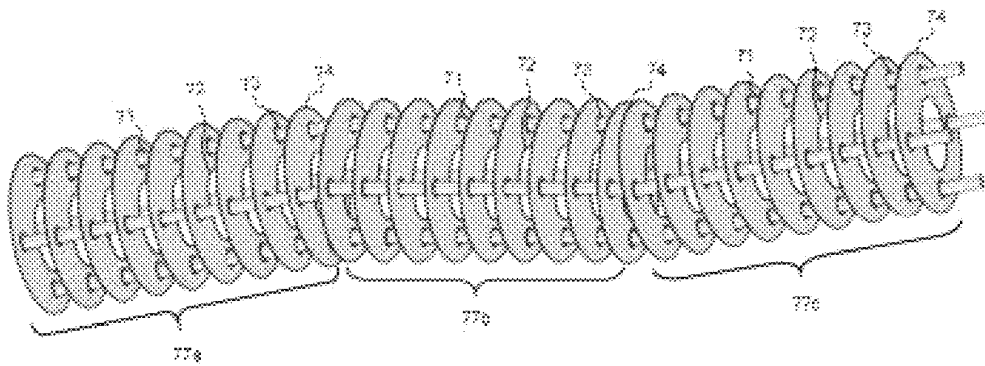


FIG. 7B

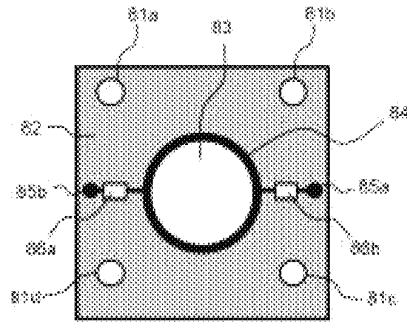


FIG. 8A

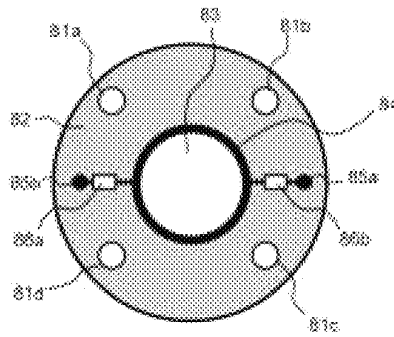


FIG. 8B

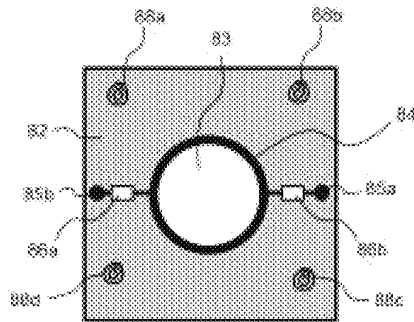


FIG. 8C

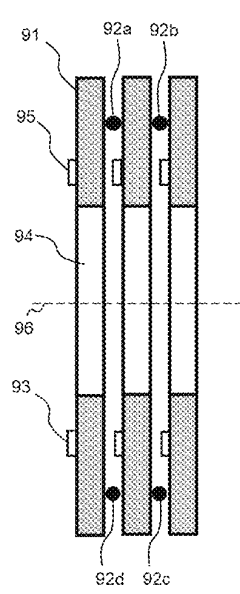


FIG. 9A

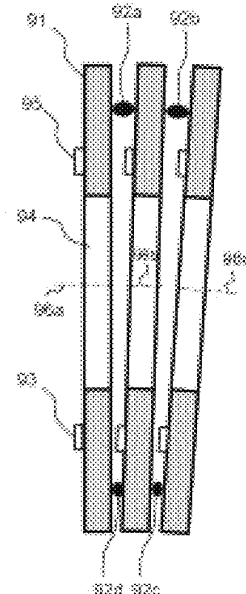


FIG. 9B

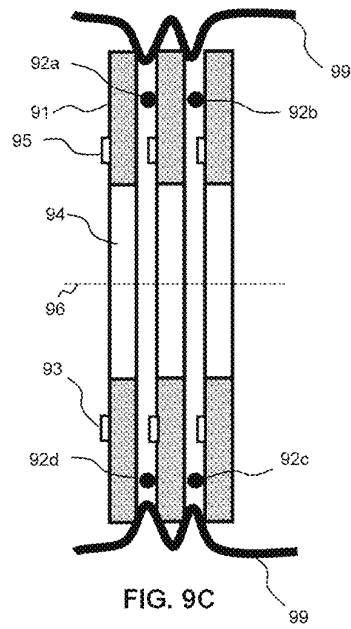


FIG. 9C



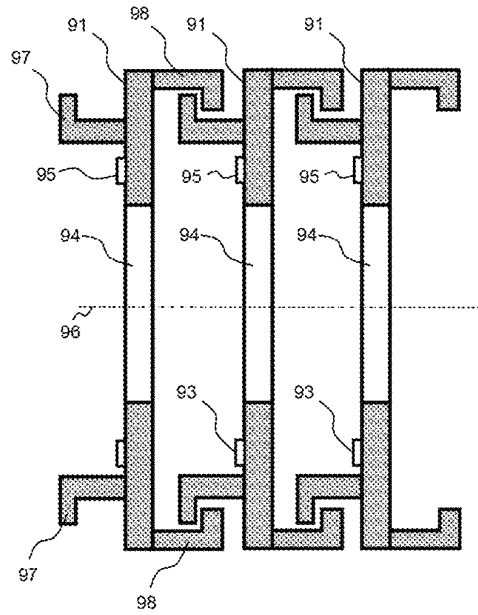


FIG. 9D

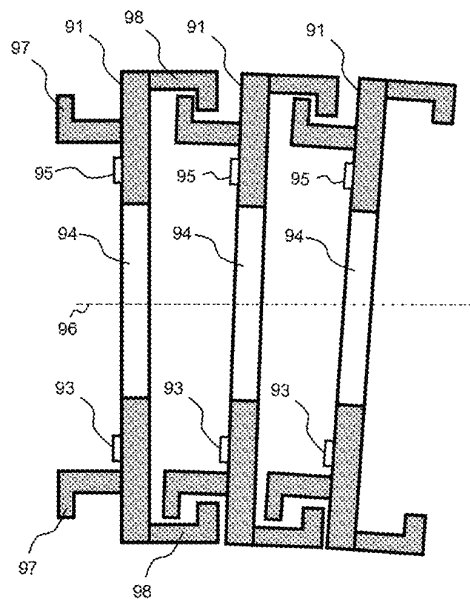


FIG. 9E

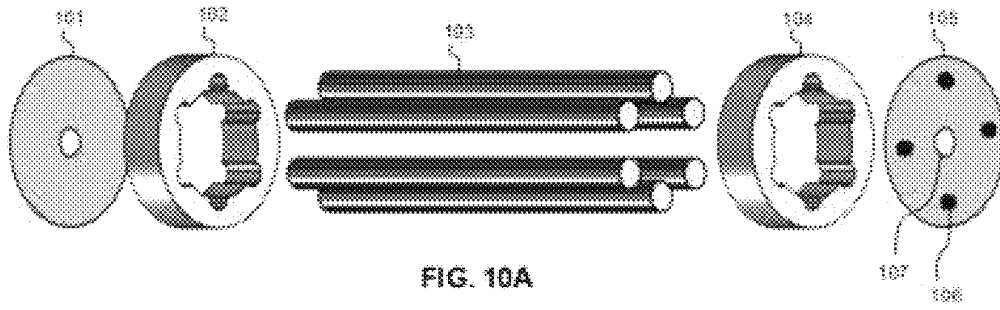


FIG. 10A

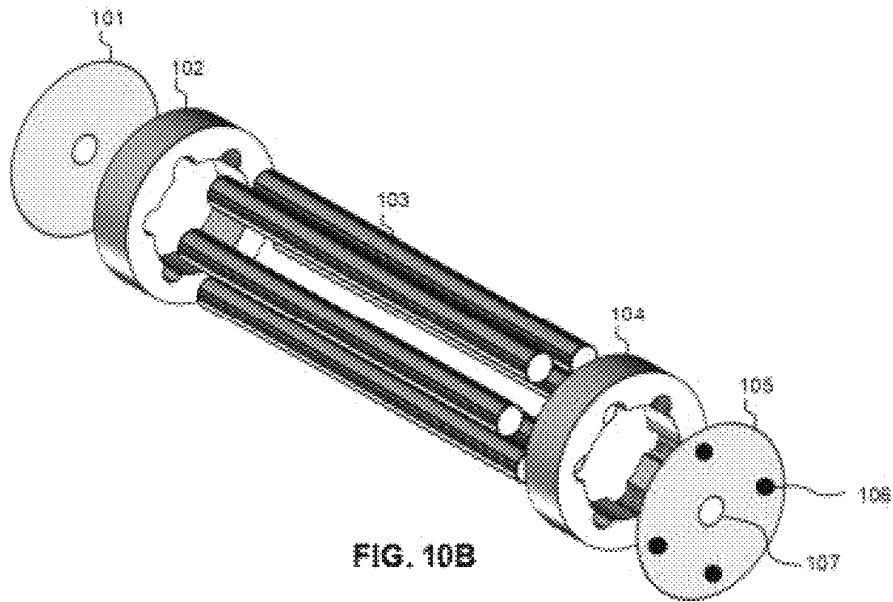


FIG. 10B

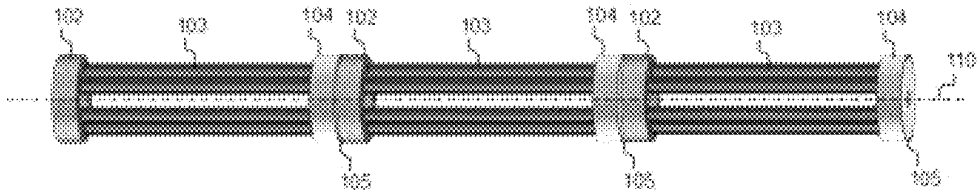


FIG. 11A

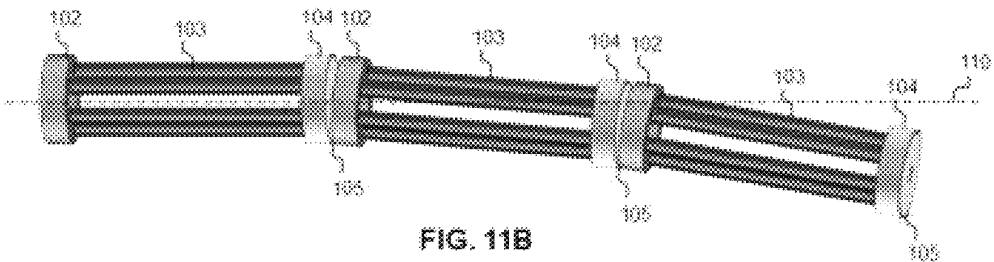


FIG. 11B

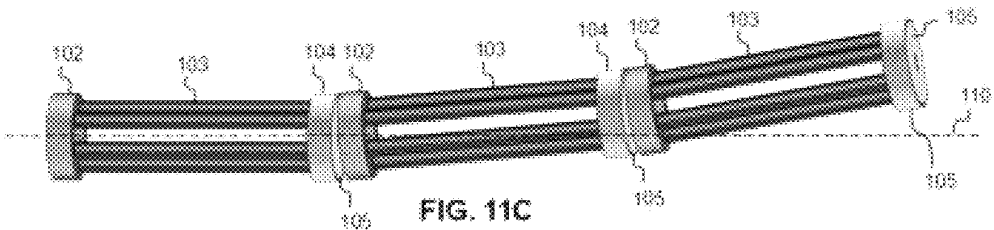


FIG. 11C

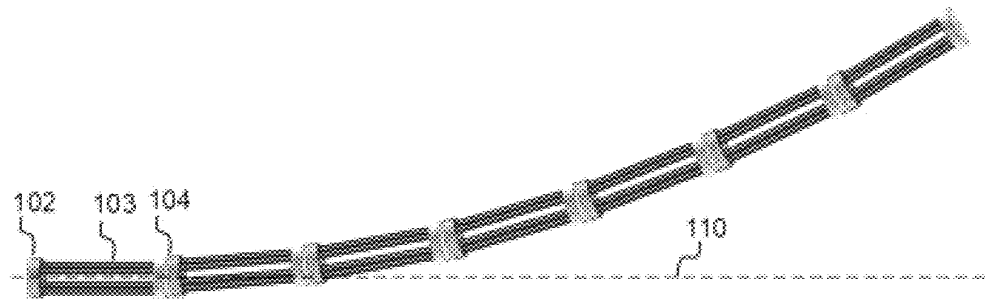


FIG. 12A

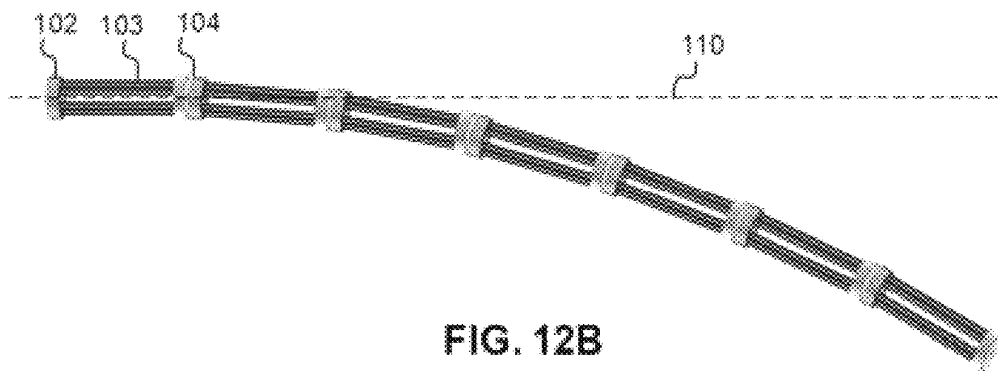


FIG. 12B

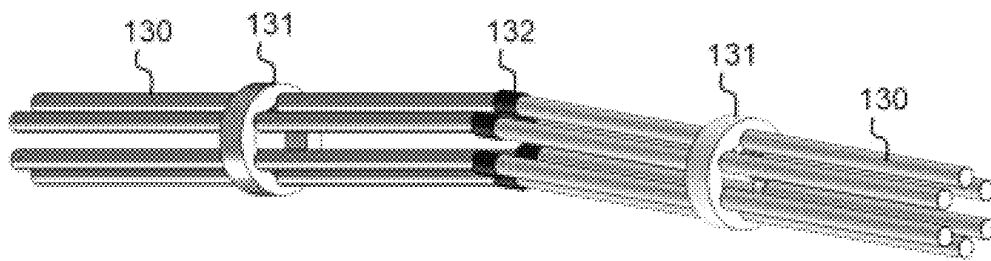


FIG. 13

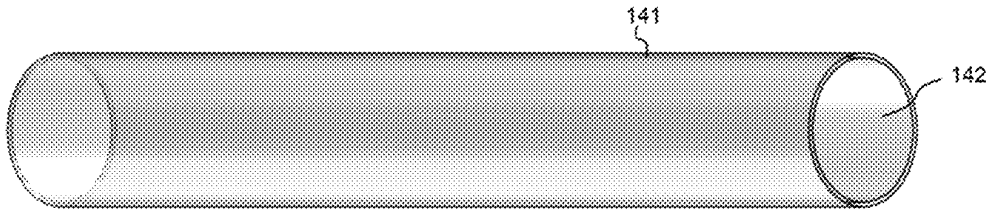


FIG. 14A

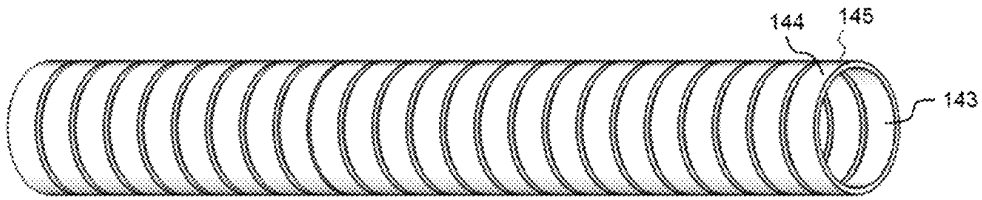


FIG. 14B

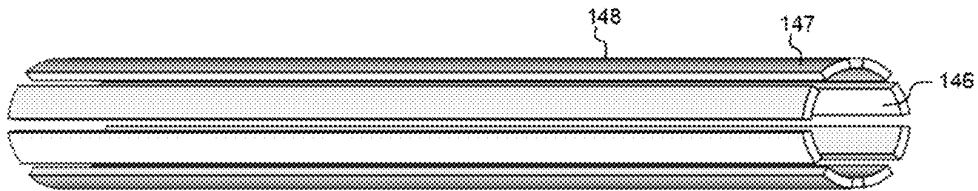


FIG. 14C

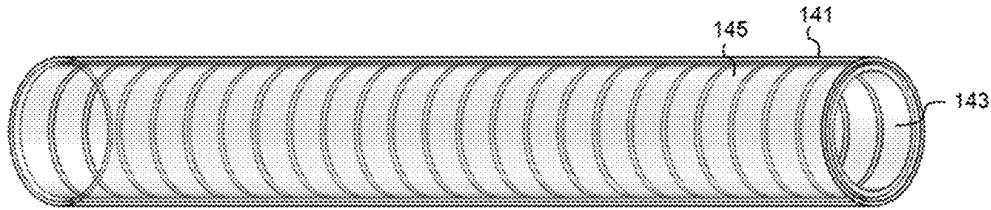


FIG. 15A

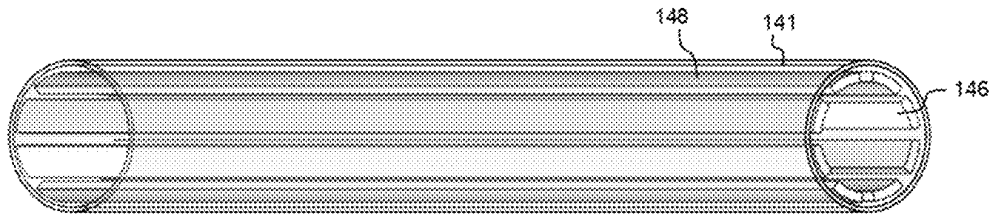


FIG. 15B

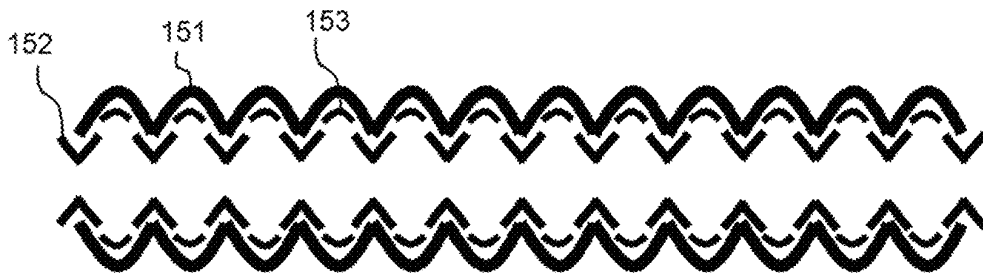


FIG. 15C

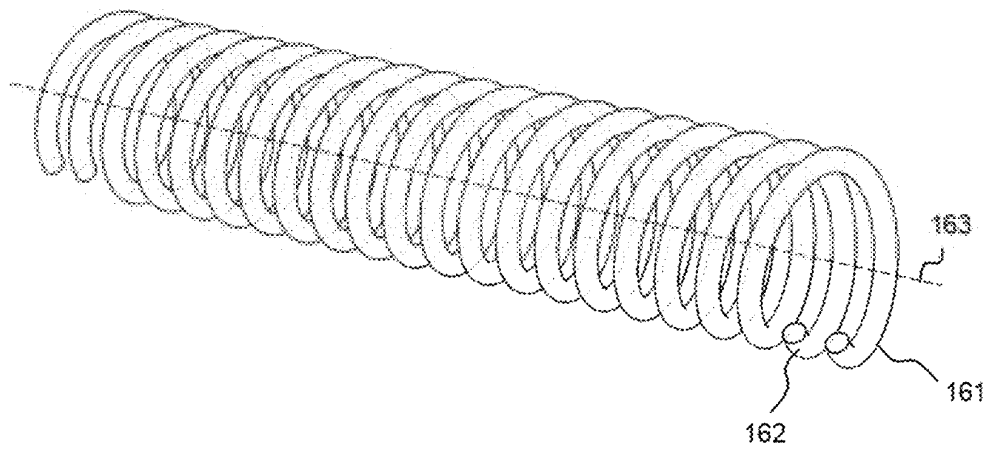


FIG. 16



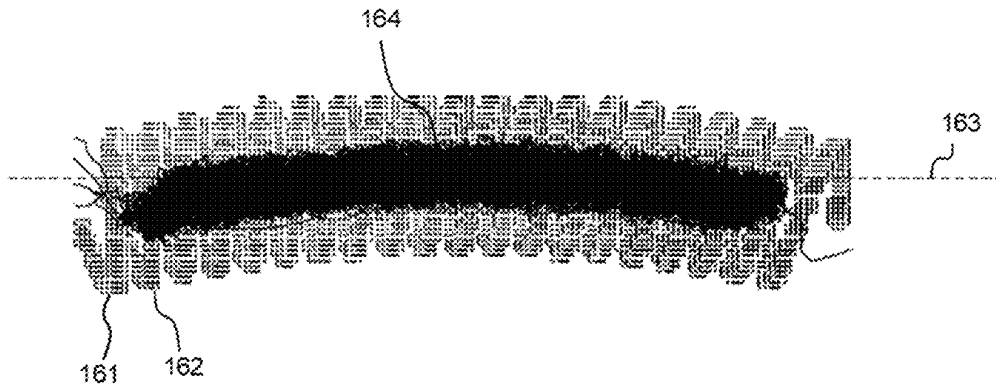


FIG. 17A

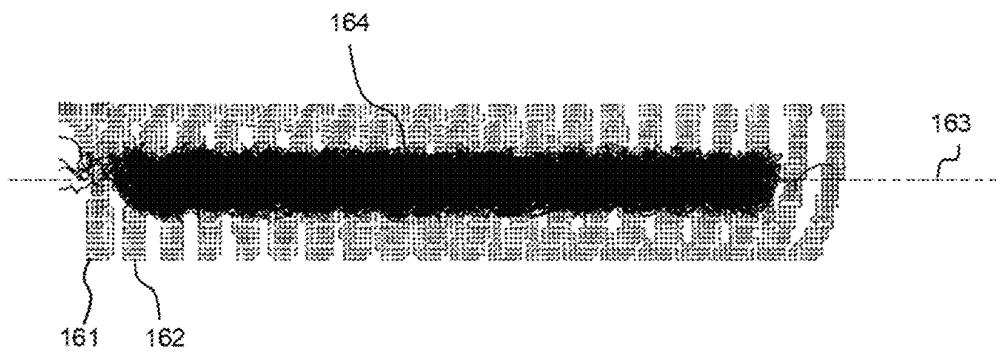


FIG. 17B

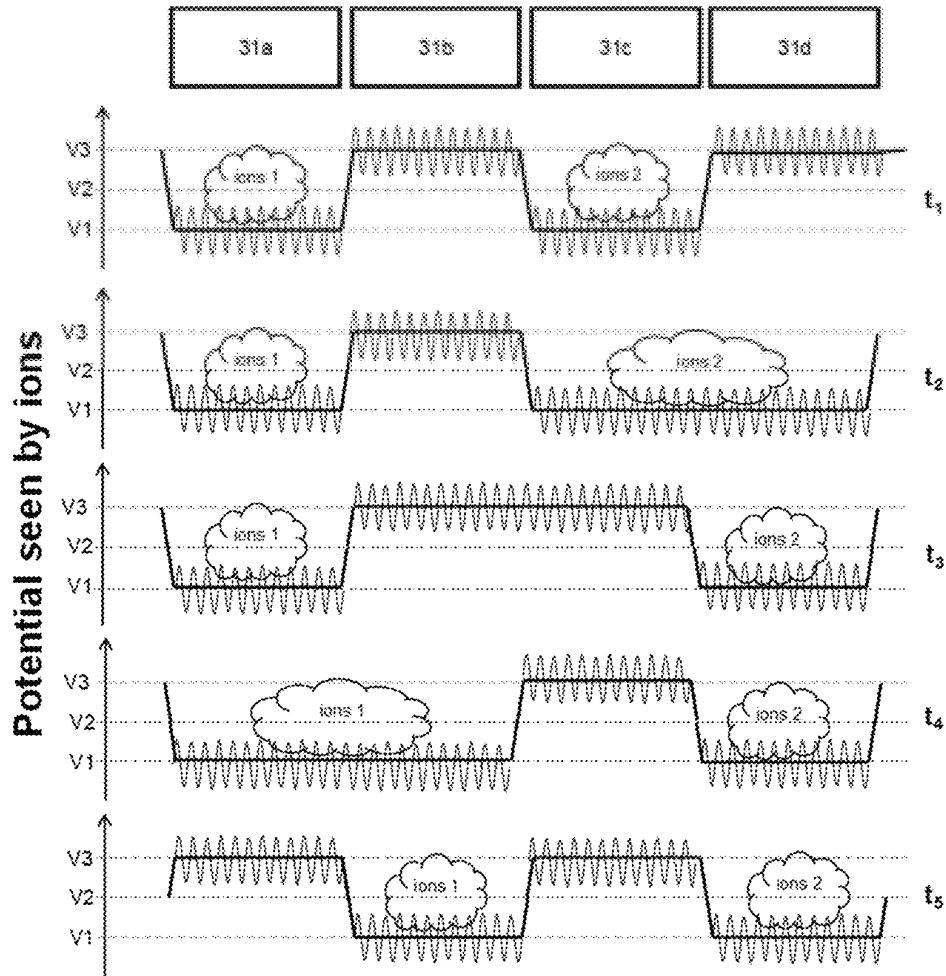


FIG. 18

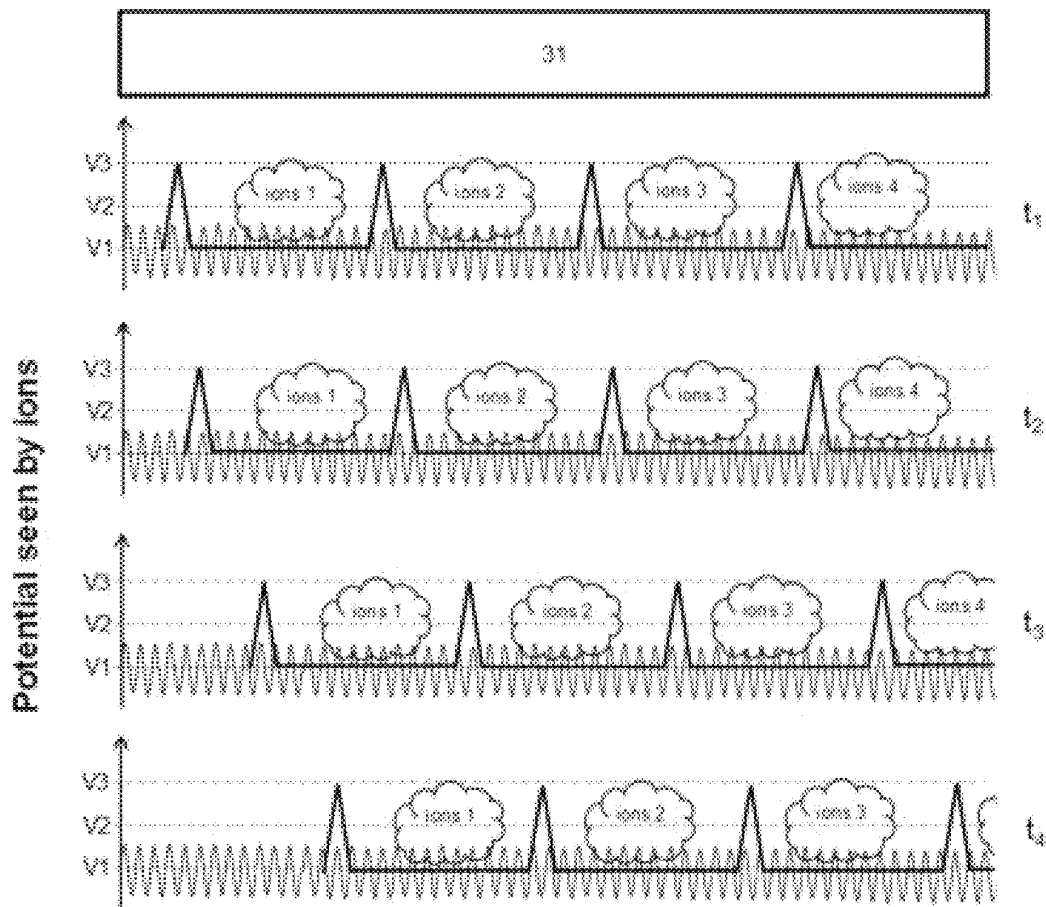


FIG. 19

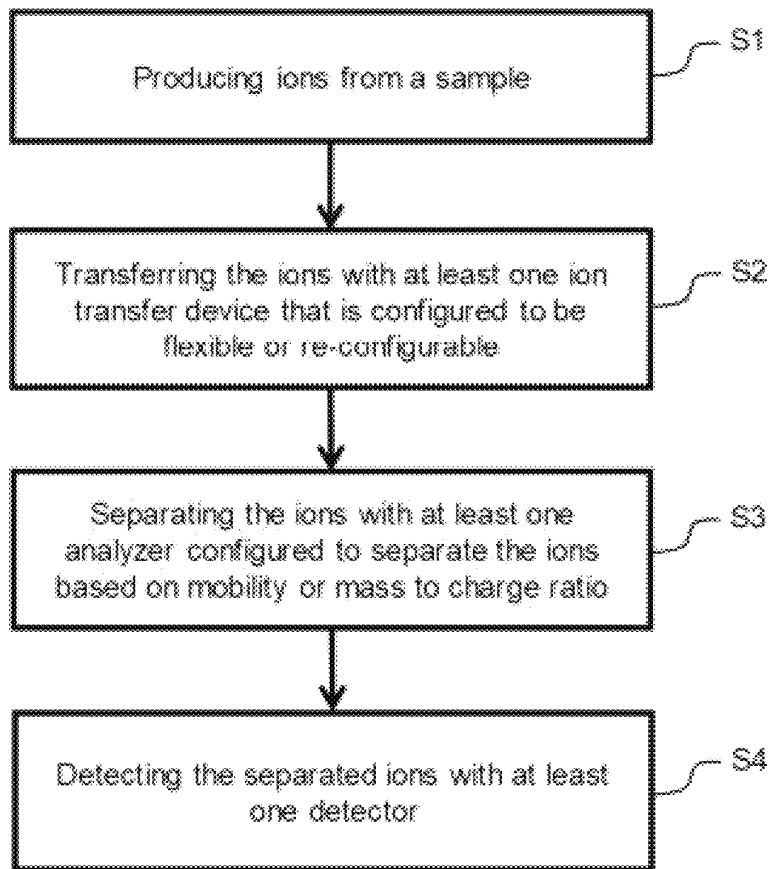


FIG. 20

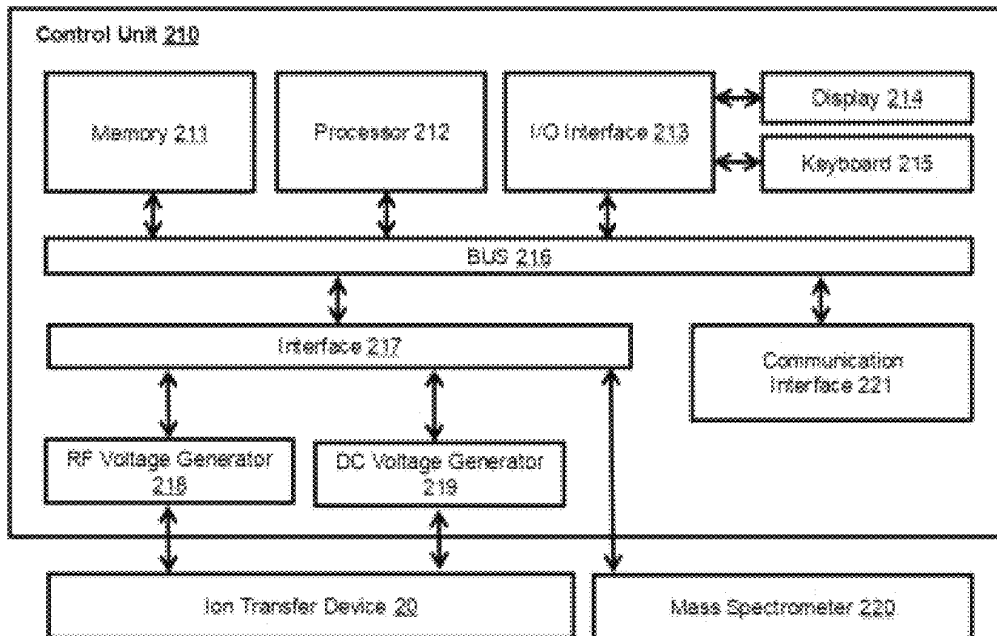


FIG. 21

1

## APPARATUS, SYSTEM AND METHOD FOR TRANSPORTING BIOLOGICAL SAMPLES BETWEEN TWO ANALYTICAL SYSTEMS

### RELATED APPLICATIONS

The present application is a continuation and claims the priority benefit of U.S. application Ser. No. 17/570,279, filed on Jan. 6, 2022, which claims priority to U.S. application Ser. No. 17/071,458, filed on Oct. 14, 2020, which claims priority to U.S. application Ser. No. 16/350,396 (now patent number U.S. Pat. No. 10,840,077), which claims priority to Provisional Application No. 62/680,592 entitled: "Flexible Ion Guide," filed on Jun. 5, 2018; the contents and disclosures of which are hereby incorporated by reference in their entireties herein and below.

### TECHNICAL FIELD

The present disclosure relates to an ion transfer device. In particular, the present disclosure is related to an ion transfer device that is flexible or re-configurable and may be bent or re-configured from one shape to another shape while transferring ions produced from a sample in a first location using an ion source (such as an ionization probe) to an ion analyzer (such as a mass spectrometer or an ion mobility analyzer) in the second location. The ions may be transferred inside the ion transfer device in sequentially-packed ion packets.

### BACKGROUND

Mass spectrometry and ion mobility spectrometry are analytical techniques for chemical analysis to detect and identify analytes of interest in various applications. With the increased use of these instruments, their applications and the variety of applications have increased. However, their size still remains large, hindering their applications in point of care/action/need applications, where size and portability is limiting.

A mass spectrometer is a complex system composed of various components, as shown in FIG. 1A. The critical components of a typical mass spectrometer consist of sample introduction and ionization **1**, sampling inlet **2**, ion optics and mass analyzer **4**, detector **5**, vacuum chamber or housing **3**, vacuum system **9** including vacuum pumps and gauges, voltage supply systems **6**, control systems **7**, and data acquisition systems **8**. In a typical mass spectrometer, first, the ionization source **1** ionizes a sample to generate positive and negative ions. The generated ions travel through the sampling inlet **2** and are guided, for example by ion guides, such as an ion funnel and/or multipole ion guides, to enter the mass analyzer **4**. All of these components are closely connected to each other. The mass analyzer **4**, which is derived by voltage supply systems **6**, separates ions based on their  $m/z$ . The detector **5** produces an electrical signal when the ions hit the detector **5**. The data acquisition systems **8** receive the electrical signal from the detector **5**, typically in the form of electrical current or voltage, and produce and record spectra. The spectra provide fingerprints for chemical identification of the sample. Control systems **7** control various components. All components related to the mass analysis and ion detection are placed inside a vacuum chamber **3**, maintained at high vacuum. Although FIG. 1A shows sample introduction/ionization block **1** outside the vacuum region, ionization of samples may occur in a wide range of pressures, from atmospheric pressure to high

2

vacuum. In a conventional mass spectrometer, the sample introduction/ionization **1** is attached to the sampling inlet **2**.

Mass spectrometers require high vacuum for proper operation because, ideally, ions must travel inside a mass spectrometer without colliding with background gas molecules. Therefore, the vacuum in the mass analyzer **4** of a mass spectrometer must be maintained at a pressure that correlates with ion mean free path length longer (ideally several folds) than the length of the mass analyzer. According to the kinetic theory of gases, the mean free path  $L$  (in m) is given by:  $L = kT/\sqrt{2} p\sigma$ , where  $k$  is the Boltzmann constant,  $T$  is the temperature (in K),  $p$  is the pressure (in Pa), and  $\sigma$  is the collision cross-section (in  $m^2$ ). In a typical mass spectrometer with  $k=1.38 \times 10^{-21} \text{ JT}^{-1}$ ,  $T=300 \text{ K}$ , and  $\sigma=45 \times 10^{-20} \text{ m}^2$ , the mean free path equation simplifies to  $L=4.95/p$ , where  $L$  is in centimeters and  $p$  is in milli-Torr. In laboratory-scale mass spectrometers, ion filtering and detection usually occur in high vacuum, i.e.  $<10^{-5}$  Torr, corresponding to a mean free path of  $>4.95$  meters. This is necessary to achieve high resolution separation of ions. To achieve a pressure of  $<10^{-5}$  Torr with available vacuum technologies, a two-stage vacuum generation process is utilized. First, the pressure is reduced to  $\sim 10^{-2}$  Torr using mechanical or roughing pumps, and then one or more turbo-molecular pumps, ion pumps, or cryogenic pumps further reduce the pressure to  $<10^{-5}$  Torr. Turbo-molecular pumps provide relatively higher pumping capacities compared to ion pumps and are more appropriate for atmospheric pressure sampling and ionization. Ion pumps have advantages when vibration-free operation and ultra-high vacuum is required (vacuum levels of  $<10^{-10}$  Torr).

Prior to the introduction of soft ionization and ambient ionization techniques, mass spectrometry was generally limited to the analysis of volatile, relatively low-molecular-mass samples, and mass spectrometric analysis of biomolecules was difficult if not impossible. Also, conventional ionization sources, such as electron impact ionization, caused excessive fragmentation when applied to biomolecules. The advent of soft ionization techniques, which produce mass spectra with little or no fragmentation in ambient or near-ambient environment, made it possible to analyze large organic molecules and biomolecules with mass spectrometers. In particular, the development of electrospray ionization (ESI) and matrix-assisted laser desorption/ionization (MALDI) has extended the application of mass spectrometry to biomolecules. These techniques have demonstrated unparalleled advantages, for example in analyzing peptides and proteins, because of the speed of experiments, the amount of information generated, and the outstanding resolution and sensitivities offered.

Among various soft ionization techniques, ESI sources are best suited for direct biomolecules. ESI may function as a liquid sample introduction system and an ionization source at the same time. In ESI, the sample in a solution (typically a 50/50 mixture of water/methanol with 0.1-1% acetic or formic acid) enters a narrow capillary and leaves the capillary as a liquid spray. The voltage at the end of the capillary is significantly higher (3 to 5 kV) than that of the mass analyzer, so the sample is sprayed or dispersed into an aerosol of highly charged droplets. Evaporation of solvent decreases the size of the droplets. Because the electrically charged droplets retain their charge but get smaller, their electric field increases. At some point, mutual repulsion between like charges causes ions to leave the surface of the droplet. As a result, multiply charged ions from individual biomolecules, free from solvent, are released and enter the sampling inlet for analysis by the mass spectrometer.

Except for MALDI and similar ionization methods that ionize samples in the high-vacuum region, most mass spectrometry techniques for analyzing biomolecules rely on interfaces or sampling inlets that deliver gas-phase molecular ions from atmospheric pressure or near atmospheric pressure to high vacuum through orifices or capillaries. Achieving high ion transfer efficiencies for mass spectrometers is crucial and challenging. Conductance limiting orifice plates enable differential pumping of various stages of a mass spectrometer. Smaller orifices enable operation with lower pumping capacities but result in lower ion transfer efficiencies. Larger-diameter orifices may improve the efficiency of ion transfer but allow more neutrals to enter the vacuum region, thus requiring larger, higher-speed pumps to maintain the desired vacuum. Therefore, the pumping capacity of the vacuum system indirectly determines the ion transfer efficiency, because the size and dimensions of the sampling inlet must be designed according to the pumping capacity of the vacuum system. Finding the right balance between the pumping capacity and the ion transfer efficiency is a challenging design consideration for mass spectrometers if a limited pumping capacity is available.

Various sampling mechanisms are developed to address the above-noted challenges, such as the discontinuous atmospheric pressure interface (DAPI) and the pulsed pinhole atmospheric pressure interface (PP-API). The continuous atmospheric pressure interface enabled by differential pumping is another sampling mechanism that uses multi-stage vacuum pumps for differential pumping, to provide gradual pressure reduction to transport ions from atmospheric pressure to high vacuum. The extent to which the motion of ions may be controlled in different vacuum stages determines the overall ion transmission efficiency of the mass spectrometer. Recently, ion funnels have attracted significant interest in atmospheric pressure sampling in addition to the conventional multipole ion guides. Ion funnels enable the manipulation and focusing of ions in a pressure regime (0.01 to 30 Torr), providing much greater ion transmission efficiencies. Usually, ion funnels are located right after heated capillary inlets in a mass spectrometer. Ion funnels are rigid structures that guides ions in mid-vacuum level of 0.01 to 30 Torr. In ion funnels, the spacing between ring electrodes are constant.

Mass analyzers are the core components of mass spectrometers and are typically characterized by their mass range and resolution. Mass range is the maximum mass resolvable mass by the analyzer. Resolution is an indicator of how selective a mass filter is in distinguishing ions with  $m/z$  that are close in value. Thus far, various mass analyzers with different mechanisms have been developed. General mass spectrometry handbooks provide detailed descriptions of various mass analyzers. Mass analyzers may be categorized into beam analyzers, such as quadrupole and TOF analyzers, and trapping analyzers, such as ion traps.

Faraday cups and micro channel plate (MCP) detectors are the two most widely used ion detectors in mass spectrometry. Faraday cups may operate at high pressures (up to atmospheric pressure), but are less sensitive, and are not compatible with high-resolution mass spectrometry due to slow response times. MCPs support high mass resolution, dynamic range, and detection sensitivity. Most modern MCP detectors consist of two MCPs, with angled channels rotated  $180^\circ$  from each other, producing a chevron (v-like) shape. The angle between the channels reduces ion feedback. In a chevron MCP, the electrons that exit the first plate initiate the cascade in the next plate. The advantage of the chevron MCP over the straight channel MCP is significantly more

gain at a given voltage. The two MCPs may either be pressed together or have a small gap between them to spread the charge across multiple channels.

With the advent of ambient desorption ionization sources, which desorb and ionize molecules in their native state, the applications of mass spectrometers have been extended significantly. For example, ambient desorption ionization techniques may be used to analyze human tissues during a surgery to differentiate cancer cells. As another example, ambient ionization desorption techniques may be used in homeland security to monitor cargo and passengers at security check points for explosives. Three different scenarios have been used thus far for such applications. In the conventional method shown in FIG. 1B, the samples are brought close to a mass spectrometer for ionization and analyses. In this approach, samples are directly place in front of a mass spectrometer. In a second approach shown in FIG. 1C, samples or sample molecules are transferred through a bare tube 19, which may be plastic or metal, into the ion source 11 of the mass spectrometer. A sampling medium, such as water, may be used to mix sample with sampling medium to be transferred through the bare tube to a mass spectrometer. In the third approach shown in FIG. 1D, samples are ionized using an ion source that is detached from a mass spectrometer and the produced ions are transferred via the bare tube 19 to a mass spectrometer for analysis. All of these approaches have disadvantages. For example, placing a sample directly in front of a mass spectrometer (FIG. 1B) may not be practical in many applications, particularly when the sample is bulky or immobile. Second transferring sample molecules via the bare tube 19 to a mass spectrometer (FIG. 2B) may result in memory effects from sample residue/molecules sticking to the inner surface of the bare tube 19. These residues may contaminate the inner side of the bare tube 19 and may adversely affect the analytical results. Transferring ions through bare tube 19, as shown in FIG. 1D, may result in decreased ion transfer efficiency as a majority of ions are lost to the inner walls of the bare tube 19 and deteriorate ion transfer efficiency. In other words, the ion transfer efficiency of this method may not be sufficient, and a majority of ions may be lost in the ion transfer process, thus negatively affecting analytical performance.

#### SUMMARY

One or more embodiments of the present disclosure relates to a flexible ion transfer device that may transfer ions from a first location to a second location, such that the first location may be in a proximity of where samples to be analyzed are located and the second location is where a mass spectrometer is located. Mass spectrometers are still bulky but the growing demand of mass spectrometers in point of need/care/action, such as medical and security applications require having mass spectrometers more accessible. With the conventional mass spectrometers, that is not possible because mass spectrometers are bulky and large. Further, ambient ionization techniques produce ions from samples in their native environment (such as human tissues during surgery to detect cancer cells). Therefore, the present disclosure aims to provide an improvement over the state-of-the-art by providing a flexible ion transfer device that may be connected between an ambient ion source (which may be constructed as an application-specific or general-purpose ionization probe) in first location and a mass spectrometer in a second location such that the ions produced by the ion source may be efficiently transferred to a mass spectrometer via the flexible ion transfer device. The flexible ion transfer

device provides an advantage that an operator/user may easily move the ion source to/around the sample and may produce ions for mass spectrometry analysis without having to bring a mass spectrometer closer to a sample under test. Further, various ion sources or ion source probes may be attached to a single mass spectrometer, which results in more efficient use of a mass spectrometer. It is noted that the sample analysis in a mass spectrometer from the moment ions are produced to the moment the ions are detected by the detector takes milli-seconds to a few seconds. Therefore, mass spectrometers are ideally able to provide continuous analysis every few seconds at most. However, the sample introduction techniques are currently a limiting factor of the process. The time in between two mass spectrometric analyses currently lag behind a mass spectrometers ideal throughput because of the slow sample introduction. Therefore, producing a sequence of ions packets to be analyzed by a mass spectrometer will significantly improve throughput of mass spectrometry analysis. For example, sequentially packed ions may be produced from various ionization sources and may be queued and transferred to a mass spectrometer for analysis, thus increasing throughput of analyses. The present disclosure provides an ion transfer device and an ion transfer method for producing ions in a remote location and for transferring the produced ions sequentially to a mass spectrometer for analysis.

In one or more embodiments, an ion transfer device transfers ions from at least one ion inlet to at least one ion outlet of the ion transfer device, and the ion transfer device includes an enclosure configured to maintain reduced pressure; and a plurality of electrodes disposed at least in part inside the enclosure such that the ion transfer device is configured to be flexible or re-configurable.

In one or more embodiments, the ion transfer device is configured to be bent from two or more bend positions to form a plurality of curvatures while actively and efficiently transferring the ions.

In one or more embodiments, the plurality of electrodes are flexibly connected to each other to make the ion transfer device re-configurable while actively transferring the ions from a first location to a second location.

In one or more embodiments, the one or more ion transfer enclosures and one or more electrodes are flexibly attached to each other to allow the ion transfer device to transfer the ions in two or more different shapes.

In one or more embodiments, the ion transfer device is configured to be transformable between two or more different physical shapes, and the ion transfer device is configured to transfer the ions in the two or more different physical shapes from the at least one ion inlet to the at least one ion outlet.

In one or more embodiments, the reduced pressure in which an ion transfer device is maintained at is between 0.001 to 100 Torr.

In one or more embodiments, the ion transfer device is re-configurable and transformable between at least a first configuration and a second configuration such that the ion transfer device, in the first configuration, transfers ions from a first location to a second location, and the ion transfer device, in the second configuration, transfers the ions from the first location to a third location, the third location being different from the second location.

In one or more embodiments, at least two of the plurality of electrodes are configured to be flexibly attached to each other using electrically insulating material.

In one or more embodiments, a first group of electrodes include a first number of the plurality of electrodes are

attached to each other in a non-flexible manner, a second group of electrodes including a second number of the plurality of electrodes are attached to each other in a non-flexible manner, and the first group of electrodes and the second group of electrodes are attached to each other in a flexible manner to allow bending of the first group of electrodes or the second group of electrodes around one or more axes with respect to each other.

In one or more embodiments, the plurality of electrodes are ring-shaped electrodes that form an elongated ion funnel structure.

In one or more embodiments, the plurality of electrodes are wires in helical form.

In one or more embodiments, the plurality of electrodes are disposed parallel to each other and are elongated along an axis of the ion transfer device.

In one or more embodiments, the plurality of electrodes are attached to an inner surface of the enclosure.

In one or more embodiments, RF voltage and DC voltage are applied to each of the plurality of electrodes, and the RF voltage and DC voltage are applied to each of the plurality of electrodes respectively via a capacitor and a resistor.

In one or more embodiments, the DC voltage is traveling DC voltage pulse.

In one or more embodiments, RF voltage applied to each of the plurality of electrodes is out of phase with the RF voltage applied to adjacent electrodes.

In one or more embodiments, the DC voltage causes the ions to move axially parallel to an axis of the ion transfer device, and the RF voltage causes the ions to move radially around the axis of the ion transfer device.

In one or more embodiments, the ion transfer device is connected to an ion source that is configured to be freely movable in 3-dimensional space to bring it in close to a sample under test to produce the ions from the sample under test.

In one or more embodiments, an ion analysis system includes at least one ion source configured to produce ions from a sample; at least one ion transfer device having an enclosure, and a plurality of electrodes disposed at least in part inside the enclosure such that the ion transfer device is configured to be flexible or re-configurable; and a main body having at least one analyzer configured to separate the ions based on mobility or mass to charge ratio; and at least one detector configured to detect the separated ions.

In one or more embodiments, a method includes producing ions from a sample; transferring the ions with at least one ion transfer device that is configured to be flexible or re-configurable, the ion transfer device having an enclosure, and a plurality of electrodes disposed at least in part inside the enclosure; separating the ions with at least one analyzer configured to separate the ions based on mobility or mass to charge ratio; and detecting the separated ions with at least one detector.

#### BRIEF DESCRIPTION OF DRAWINGS

Certain embodiments of the present disclosure are described with reference to the accompanying drawings. However, the accompanying drawings illustrate only certain aspects or implementations of the present disclosure by way of example and are not meant to limit the scope of the claims.

FIG. 1A shows a block diagram of a conventional mass spectrometer.

FIG. 1B shows a block diagram of a conventional mass spectrometer.



FIG. 1C shows a block diagram of a conventional mass spectrometer such that the ion source is detached from the ion guide and the ions are transferred to ion guide of a mass spectrometer via a bare tube.

FIG. 1D shows a block diagram of a conventional mass spectrometer such that the sample is located at a distance from the ion source and the ions are transferred to ion source of a mass spectrometer via a bare tube.

FIG. 2A shows a block diagram of a mass spectrometry system such that the ion source is detached from the ion guide and the ions are efficiently transferred to ion guide via a flexible or re-configurable ion transfer device in accordance with one or more embodiments of the present disclosure.

FIG. 2B shows a block diagram of a mass spectrometry system such that the ion source in form of an ion source probe is detached from the ion guide and the ions are efficiently transferred to the ion guide via a flexible or re-configurable ion transfer device in accordance with one or more embodiments of the present disclosure.

FIG. 2C shows a block diagram of a mass spectrometry system such that the ion source is detached from the mass spectrometer and the ions produced in an ionization probe are efficiently transferred to the mass spectrometer via a flexible or re-configurable ion transfer device in accordance with one or more embodiments of the present disclosure.

FIG. 2D shows a block diagram of a mass spectrometry system such that the ion source is detached from the mass spectrometer and the ions produced in an ionization probe are efficiently transferred to the mass spectrometer via a flexible or re-configurable ion transfer device in accordance with one or more embodiments of the present disclosure.

FIG. 2E shows a block diagram of a mass spectrometry system such that the ion source is detached from the ion guide and the ions are efficiently transferred to ion guide via a flexible or re-configurable ion transfer device in accordance with one or more embodiments of the present disclosure.

FIG. 2F shows a block diagram of a mass spectrometry system such that the ion source is detached from the ion guide and the ions are efficiently transferred to ion guide via a flexible or re-configurable ion transfer device in accordance with one or more embodiments of the present disclosure.

FIG. 3A shows a block diagram of a mass spectrometry system such that three different ion sources are attached to mass spectrometry system via flexible or re-configurable ion transfer devices in accordance with one or more embodiments of the present disclosure.

FIG. 3B shows a block diagram of a mass spectrometry system such that three different ion sources are efficiently transfer ions to two different mass spectrometry systems via flexible or re-configurable ion transfer devices in accordance with one or more embodiments of the present disclosure.

FIG. 4A, FIG. 4B, FIG. 4C, and FIG. 4D show block diagrams of different configurations for ion transfer devices in accordance with one or more embodiments of the present disclosure.

FIG. 5A, FIG. 5B, and FIG. 5C show block diagrams of different configurations of ion transfer device in accordance with one or more embodiments of the present disclosure.

FIG. 6A, FIG. 6B, FIG. 6C, and FIG. 6D show perspective views of flexible or re-configurable ion transfer device in accordance with one or more embodiments of the present disclosure.

FIG. 7A and FIG. 7B show perspective views of flexible or re-configurable ion transfer device in accordance with one or more embodiments of the present disclosure.

FIG. 8A, FIG. 8B, and FIG. 8C show front views of electrodes of flexible or re-configurable ion transfer device in accordance with one or more embodiments of the present disclosure.

FIG. 9A, FIG. 9B, FIG. 9C, FIG. 9D, and FIG. 9E show cross-section views of electrodes of flexible or re-configurable ion transfer device connected to each other in accordance with one or more embodiments of the present disclosure.

FIG. 10A and FIG. 10B show perspective views of electrode structure of flexible or re-configurable ion transfer device in accordance with one or more embodiments of the present disclosure.

FIG. 11A, FIG. 11B, and FIG. 11C show perspective views of flexible or re-configurable ion transfer device including three electrode structures connected to each other in accordance with one or more embodiments of the present disclosure.

FIG. 12A and FIG. 12B show perspective views of flexible or re-configurable ion transfer device including seven electrode structures connected to each other in accordance with one or more embodiments of the present disclosure.

FIG. 13 shows a perspective view of flexible or re-configurable ion transfer device including two electrode structures connected to each other accordance with one or more embodiments of the present disclosure.

FIG. 14A, FIG. 14B, and FIG. 14C show perspective views of enclosure and electrode geometries of flexible or re-configurable ion transfer device in accordance with one or more embodiments of the present disclosure.

FIG. 15A, FIG. 15B, and FIG. 15C show perspective views of flexible or re-configurable ion transfer devices in accordance with one or more embodiments of the present disclosure.

FIG. 16 shows a perspective view of electrode geometry of flexible or re-configurable ion transfer device in accordance with one or more embodiments of the present disclosure.

FIG. 17A and FIG. 17B show two side views of ion trajectory simulation in flexible or re-configurable ion transfer device in accordance with one or more embodiments of the present disclosure.

FIG. 18 shows RF and DC voltage waveforms for flexible or re-configurable ion transfer device in accordance with one or more embodiments of the present disclosure.

FIG. 19 shows RF and DC voltage waveforms for flexible or re-configurable ion transfer device in accordance with one or more embodiments of the present disclosure.

FIG. 20 shows a flow chart of a method for transferring ions with flexible or re-configurable ion transfer device in accordance with one or more embodiments of the present disclosure.

FIG. 21 shows a block diagram of control unit for ion transfer device upon which one or more embodiments of the present disclosure may be implemented.

#### DETAILED DESCRIPTION

In general, embodiments of the present disclosure related to a flexible or re-configurable ion transfer device and methods for transferring ions with a flexible or re-configurable ion transfer device.

Specific embodiments are disclosed with reference to the accompanying drawings. In the following description, numerous details are set forth as examples of the present disclosure. It will be understood by those skilled in the art that one or more embodiments of the present disclosure may be practiced without these specific details and that numerous variations or modifications may be possible without departing from the scope of the invention. Certain details known to those of ordinary skill in the art are omitted to avoid obscuring the description.

FIG. 2A shows a block diagram of a mass spectrometry system such that the ion source 21 is detached from the ion guide 13 and the ions are efficiently transferred to ion guide via a flexible or re-configurable ion transfer device 20 in accordance with one or more embodiments of the present disclosure. The mass spectrometry system, as disclosed herein, may include the ion source 21, the ion transfer device 20, the ion guide 13, the mass analyzer 15, the detector 17, and the corresponding vacuum systems and electronics (additional sub-systems) for proper operation and full functionality. Additional sub-systems for a mass spectrometer are shown in FIG. 1A and omitted in this and other figures of the present application to avoid obscuring the description and drawings and for maintaining simplicity of illustration. One of ordinary skill in the art, in view of the present disclosure, will understand that the mass spectrometry system includes additional sub-systems such as those shown in FIG. 1A for full functionality and operation.

In FIG. 2A, the mass spectrometry system includes an ion source 21 that is detached from an ion guide 13 of the mass spectrometry system and the ions are efficiently transferred from the ion source 21 to the ion guide 13 of the mass spectrometry system through the ion transfer device 20, which is flexible or re-configurable. The ion guide 13 may be one or more ion funnels, or one or more multipole ion guides having a plurality of even number of poles used in conventional mass spectrometers. The ion source 21 may be electrospray, plasma, glow discharge, laser, photo-ionization, or a combination of them used in ambient ionization techniques. In one or more embodiments, the ion source 21 may use any ambient ionization techniques under categories "extraction" (a solid or liquid extraction processes dynamically followed by spray or chemical ionization), "plasma" (thermal or chemical desorption with chemical ionization), "two-step" (desorption or ablation followed by ionization), "laser" (laser desorption or ablation followed by ionization), "acoustic" (acoustic desorption followed by ionization), or multimode (involving two of the above modes).

In one or more embodiments, the ion source 21 may be any of Air flow-assisted ionization, Air flow-assisted desorption electrospray ionization, Atmospheric pressure glow discharge desorption ionization, Ambient pressure pyroelectric ion source, Atmospheric pressure thermal desorption chemical ionization, Atmospheric pressure thermal desorption/ionization, Atmospheric pressure solids analysis probe, Beta electron-assisted direct chemical ionization, Charge assisted laser desorption/ionization, Desorption atmospheric pressure chemical ionization, Desorption atmospheric pressure photoionization, Direct analysis in real time, Dielectric barrier discharge ionization, Desorption corona beam ionization, Desorption chemical ionization, Desorption electroflow focusing ionization, Desorption electrospray/metastable-induced ionization, Desorption electrospray ionization, Desorption sonic spray ionization, Desorption ionization by charge exchange, Direct inlet probe-atmospheric-pressure chemical ionization, Direct probe electrospray ionization, Electrode-assisted desorption electrospray

ionization, Easy ambient sonic-spray ionization, Extractive electrospray ionization, Electrospray laser desorption ionization, Electrospray-assisted pyrolysis ionization, Electrostatic spray ionization, Flowing atmospheric pressure afterglow, Field-induced droplet ionization, High-voltage-assisted laser desorption ionization, Helium atmospheric pressure glow discharge ionization, Infrared laser ablation metastable-induced chemical ionization, Jet desorption electrospray ionization, Laser assisted desorption electrospray ionization, Laser ablation electrospray ionization, Laser ablation flowing atmospheric pressure afterglow, Laser ablation inductively coupled plasma, Laser desorption atmospheric pressure chemical ionization, Laser diode thermal desorption, Laser desorption electrospray ionization, Laser desorption spray post-ionization, Laser electrospray mass spectrometry, Liquid extraction surface analysis, Laser-induced acoustic desorption-electrospray ionization, Liquid micro-junction-surface sampling probe, Leidenfrost phenomenon-assisted thermal desorption, Liquid sampling-atmospheric pressure glow discharge, Laser spray ionization, Low temperature plasma, Matrix-assisted inlet ionization, Matrix-assisted laser desorption electrospray ionization, Microfabricated glow discharge plasma, microwave induced plasma desorption ionization, Nano-spray desorption electrospray ionization, Neutral desorption extractive electrospray ionization, Plasma-assisted desorption ionization, Paint spray, Plasma-assisted laser desorption ionization, Plasma-assisted multiwavelength laser desorption ionization, Plasma-based ambient sampling/ionization/transmission, Paper assisted ultrasonic spray ionization, Probe electrospray ionization, Paper spray, Pipette tip column electrospray ionization, Radiofrequency acoustic desorption and ionization, Remote analyte sampling transport and ionization relay, Rapid evaporative ionization mass spectrometry, Robotic plasma probe ionization, Surface activated chemical ionization, Solvent-assisted inlet ionization, Surface acoustic wave nebulization, Secondary electrospray ionization, Solid probe assisted Nano-electrospray ionization, Single-particle aerosol mass spectrometry, Sponge-Spray Ionization, Surface sampling probe, Switched ferroelectric plasma ionizer, Thermal desorption-based ambient mass spectrometry, Transmission mode desorption electrospray ionization, Touch spray, Ultrasonication-assisted spray ionization, Venturi easy ambient sonic-spray ionization, Brush-Spray Ionization, or Fiber-Spray Ionization.

In one or more embodiments, re-configurable or flexible in the present disclosure is defined as the capability of being transformed between at least two different shapes or forms, or being transformed from one configuration to another configuration. In one or more embodiments, this transformation occurs and a shape or a form of the ion transfer device 20 is changed when ions are being actively transferred by the ion transfer device 20. The ion transfer device 20 may have a plurality of bend positions 12a and 12b, and the ion transfer device may form one or more curvatures around the bend positions. In one or more embodiments, the flexible or re-configurable ion transfer device 20 may hold or retain a new shape or form after changing the shape or form from an old shape to a new shape, for example, by a force applied by hands of a user or an operator. In one or more embodiments, the flexible or re-configurable ion transfer device 20 may be soft and may not retain or hold a new shape or form after changing the shape or form from an old shape to the new shape. In one or more embodiments, flexible or re-configurable in the present disclosure is defined as the capability of being bent and being able to change from an old form or shape to a new form or shape

when the ion transfer device 20 is actively transferring the ions. In one or more embodiments, flexible or re-configurable may be defined as the ion transfer device 20 having a plurality of bend positions such that the ion transfer device 20 may form curvatures. In one or more embodiments, flexibility is defined as the achievable range of motion or being at a bend position or a plurality of bend positions without affecting ion transfer efficiency of the ion transfer device 20, without losing the functionality of the ion transfer device 20, or without shorting electrical connections of the ion transfer device 20. In one embodiment, flexible is defined as being capable of having a plurality of curvatures around an axis of the ion transfer device 20. In one embodiment, flexibility of the ion transfer device 20 may or may not retain a form or a shape while being flexible or re-configurable. In one or more embodiments, flexibility may be defined as spacing between electrodes of the ion transfer device 20 being increased or decreased. In one or more embodiments, being flexible and being re-configurable may be used in an interchangeable manner.

The ion transfer device 20 has a diameter and a length. The diameter may be the same or different along the ion transfer device 20. In one or more embodiments, the diameter of the ion transfer device 20 may be any value between 0.2 to 2 inches or even up to 5 inches, the length of the ion transfer device 20 may be any value between 0.5 to 1000 inches, or 1 to 500 feet. In one or more embodiments, the length may be 2, 5, 10, 100 or even 1000 times of the diameter (or the largest or the smallest diameter if the diameter varies along the length). The length is as the distance between defined the point the ion transfer device 20 is connected to the ion source 21, (or for example the ion inlet of the ion transfer device 20) and the point the ion transfer device 20 is connected to the ion guide 13 (or for example the ion outlet of the ion transfer device 20) when the ion transfer device 20 is in the form of a straight-line between these two points. The ion inlet (illustrated in drawings as "ions in") and the ion outlet (illustrated in drawings as "ions out") in the present disclosure are defined as sides of ion transfer device from which ions respectively enter and exit the ion transfer device 20.

FIG. 2B shows a block diagram of a mass spectrometry system such that the ion source probe 22 is detached from the ion guide 13 and ions are efficiently transferred to ion guide 13 via a flexible or re-configurable ion transfer device 20 in accordance with one aspect of the present disclosure. The mass spectrometry system shown in FIG. 2B includes a flexible ion transfer device 20, which may efficiently transfer ions from a hand-held or portable ionization probe 22 to an ion guide 13 of a conventional mass spectrometer that also includes a mass analyzer 15 and a detector 17.

The terms "Efficient" or "efficient transfer" of ions or "efficient ion transfer," or "efficiently transferring ions" are defined in the present disclosure as the transfer of ions with no ion loss or with minimal loss. The ion loss may be caused by collisions of ions with the inner walls of the ion transfer device 20 or by colliding with structures disposed inside the ion transfer tube 20. In some embodiments, efficient ion transfer may be ion transfer with the ratio of ion exiting the ion outlet of the ion transfer device 20 to the ions entering the ion inlet of the ion transfer device 20 being greater than 0.99, 0.95, 0.90, 0.85, 0.80, 0.5, 0.2 or 0.1. In one or more embodiments, ion transfer efficiency is defined as the ratio of "the ion exiting the outlet of the ion transfer device when all required voltages for the ion transfer device operation is applied" to "the ions exiting the outlet of the ion transfer device 20 when no voltage is applied to the ion transfer

device 20" being greater than, for example, 1.5, 2, 3, 10, 50, 500, 1000, or being greater than 1000 or more. In one or more embodiments, efficient may be defined as the percentage of ions exiting the outlet of the ion transfer device 20. The efficiency may be greater than 90%, 50%, or 10%. The number of ions entering the ion inlet or exiting the ion outlet of the ion transfer device 20 may be measured or quantified, for example, by monitoring ion current at the ion inlet or ion outlet of the ion transfer device 20 with ion current detector such as an ammeter, an electrometer, or an electron multiplier. In one or more embodiments, Active ion transfer or actively transferring ions in the present disclosure is defined as transfer of ions with aid of electric fields or potentials created by application of voltages to electrodes of the ion transfer device 20 or when various voltages (such as DC or RF or a combination of both) are applied to electrodes of the ion transfer device 20. Transfer or movement of ions inside the ion transfer device 20 may be under an effect of electric field, or gas flow, or a combination of both. Further, ion-ion repulsion may move ions inside the ion transfer device 20.

The pressure inside the ion transfer device may be in the range of 0.001 to 760 Torr. In this pressure regime, the ions have a relatively small mean free path, (in the order of a few nanometers to several micrometers), and therefore, collision of ions with background gas exists inside the ion transfer device 20 and when ions are being transferred or guided inside the ion transfer device 20. The collision of ions with the background gas (for example air molecules) in these pressure regimes results in ions not travelling in straight lines and frequently colliding with background gas molecules and changing path as a result of these collisions. Out of phase RF voltages (or alternating current (AC) voltages) are used in conjunction with DC voltages to efficiently guide and transfer the ions inside ion transfer device 20. RF voltages radially push ions towards a central axis of the ion transfer device 20 and maintain ions in a central portion of the ion transfer device 20, thus preventing ions from colliding with inner walls and being lost. While RF voltages and the resulting electric field from RF voltages retain ions in a central portion of the ion transfer device 20 (for example along a longitudinal axis of the ion transfer device 20), the DC voltage may provide a gradient to transfer and guide the ions in a direction towards ion outlet of the ion transfer device 20.

The ion transfer device 20 may be in a shape of a flexible tube or a flexible bellow with a plurality of electrodes disposed inside the flexible tube or bellow to receive the ions from an ion inlet of the ion transfer tube 20 from an ionization source, such as the hand-held ionization probe 22, and then actively transfer the ions to an ion outlet of the ion transfer device 20, where ions then enter the ion guide 13 of the mass spectrometer.

It is noted that although the present disclosure mainly describes use of a mass spectrometer to describe operation of the ion transfer device 20, however, one of ordinary skill in the art will recognize and understand that the present disclosure may also relate to an ion mobility spectrometer or any other apparatus that transfers gas phase ions. Ions in the present disclosure are defined as charged particles, having positive or negative charges. Therefore, all the examples in which a mass spectrometer is described may be similarly applied to an ion mobility spectrometer, or any other apparatus using an ions or electrons, or any charged particles. In one or more embodiments, ions are atoms or molecules with a net electric charge due to the loss or gain of one or more electrons, and the atoms or molecules may be the same or different.

The ion transfer device **20** may include a tube made from a single part such as a plastic or metal tube or made from multiple tubes that are connected to each other. One or more layers of tubes may be used to provide vacuum-tightness and also for housing wires, capacitors, resistors and electrodes in between different layers of tubing. The plastic tube may be a heat-shrink tube. Heat-shrink tube may be made of any one of thermoplastics, including polyolefin, polyvinyl chloride (PVC), Viton® (for high-temp and corrosive environments), Neoprene®, polytetrafluoroethylene (PTFE), fluorinated ethylene propylene (FEP) and Kynar®. In addition to these polymers, some types of special-application heat-shrink may also include an adhesive lining that may help to bond the tubing to underlying electrodes and connectors, forming strong seals that may be waterproof or gas-tight sufficient to maintain the required pressure inside the ion transfer tube **20**. In one embodiment, the heat-shrink tubing may have conductive polymer thick film to provides electrical connections between the two or more electrodes without the need to soldering, to shield the electromagnetic field produced by the RF voltages of the ion transfer device **20**.

The sample, as shown in FIG. 2B, may be any arbitrary sample under analysis or test, which the ion source probe **22** produces ions from, such as a biological sample, a human or animal tissue, or any sample of interest that includes trace amounts of analyte of interest, or a geological sample. The sample may be a human body part for example a human hand, for example, being screen for skin cancer. The ion transfer device **20** may have a plurality of bend positions **12a**, **12b**, **12c**.

FIG. 2C shows a block diagram of a conventional mass spectrometer **23** such that the ion source is detached from the mass spectrometer and the ions produced in an ionization probe **26** are transferred to the mass spectrometer **23** via a flexible or re-configurable ion transfer device **20** in accordance with embodiments of the present disclosure. A conventional mass spectrometer **23** is used and the ionization source of the mass spectrometer (which is directly attached to the mass spectrometer **23** in place of an adapter **24**) is replaced with an ion transfer device **20** including the adapter **24** on one end (on the ion outlet side) that is connected to the mass spectrometer **23** and an ionization probe **26** at the other end of the ion transfer device **20** (on the ion inlet side). In one embodiment, the adapter **24**, the ion transfer device **20**, and the ionization probe **26** replaces conventional ion source assemblies provided by mass spectrometer manufacturers (not shown—normally connected where the adapter **24** is connected in FIG. 2C) of the mass spectrometer **23**. This configuration allows using an ionization probe **26** that can be extended to a distance, for example in a range from 0.1 to 10 m depending on a length of the ion transfer device **20**, from the mass spectrometer **23**, thus enabling easy scanning and analysis of different areas of an object under test **27**.

The ion transfer device **20** efficiently transfers the ions produced by the ionization probe **26** to the mass spectrometer **23**. The flexible or re-configurable ion transfer device **20** is connected to the mass spectrometer **23** with the adapter **24** that is designed to fit the ionization source inlet of the mass spectrometer **23** (where the adapter **24** is connected in FIG. 2C). The ionization probe **26** may be an ambient ionization source, atmospheric pressure ionization source, or a reduced pressure ionization source, which is hand-held, which may be easily held with a hand **25** of an operator and moved freely to different locations or parts of an object under test **27**. For example, the ionization probe **26** may be freely moved to different parts of a human body so that the ionization probe **26** may become in contact with skin of

different parts such as hand or leg of a person **27** so that the ionization probe **26** may produce ions from human skin that is transferred to the mass spectrometer **23** by the ion transfer device **20** for analysis by the mass spectrometer **23**.

The flexibility of the ion transfer device **20** enables using a hand-held ionization probe **26** and provides several advantages not available in conventional mass spectrometers, thus extending the use of such mass spectrometry systems to many new applications. Because conventional mass spectrometers are bulky and because ionization sources in conventional mass spectrometers are directly attached to the mass spectrometer, therefore, in order to analyze human skin with conventional mass spectrometers, the human must move and bring various body parts directly in front of a conventional mass spectrometer. That can be difficult, impractical, or impossible. The flexible ion transfer device **20**, as disclosed herein, makes it possible for the ionization probe **26** to flexibly and freely move to different body part located away from the mass spectrometer **23**. This enables using conventional mass spectrometers in new applications, such as hospitals and medical offices, for example, for real-time skin analyses by replacing the conventional ion sources with the ionization probe **26** which is connected to the mass spectrometer **23** via the flexible ion transfer device **20**. Therefore, the mass spectrometer **23** may be located far from the place where the sampling/ionization is taking place by the ion source probe **26**. For example, the mass spectrometer **23** may be placed in a separate room and the ion transfer device **20** may transfer the ions using the ion transfer device **20** that is passed through a wall that separates the mass spectrometer **23** from the object under test **27**. Further, this approach enables efficient transfer of ions to the mass spectrometer **23** without or with minimal ion loss, resulting in increased analytical performance, such as increased detection limits and sensitivities required for many applications such as in situ human tissue analysis. In other words, the ion transfer device **20** enables extending the ion source **26** of the mass spectrometer **23** away from a mass spectrometer to enable sample analysis from objects **27** that are difficult to bring close to the mass spectrometer **23**. The object under test **27** may be a patient that is going through surgery on a hospital bed. The ion transfer device **20** may have a plurality of bend positions **12a**, **12b**, **12c**, **12d**, **12e** around which the ion transfer device **20** may form a plurality of curvatures.

FIG. 2D shows a block diagram of a mass spectrometer **23** such that the ion source is detached from the mass spectrometer and the ions produced in an ionization probe **26** are transferred to the mass spectrometer **23** via a re-configurable ion transfer device **20** in accordance with one or more embodiments of the present disclosure. The ionization probe **26** may be held by a hand **25** of an operator or a user (or for example by a robotic arm of a robot) and a surface of interest **28** may be analyzed without having the mass spectrometer **23** close to the surface of interest **28**. The length of the ion transfer device **20** may be greater than 10 cm, 50 cm, 100 cm, 150 cm, or 200 cm. In other embodiments, the length of the ion transfer device **20** may be greater than 2 meters, 5 meter, or 10 meter, or more.

The ionization probe **26** produces ions from the surface of interest **28** and the produced ions are transferred via the ion transfer device **20** to the mass spectrometer **23** for analysis. As noted above, this enables modifying the conventional mass spectrometer **23** by replacing the original ion source (not shown) of the conventional mass spectrometer **23** by an adapter **24** that connects the ion transfer device **20** to the mass spectrometer **23** and efficiently transfers the ions from

15

the ion transfer device **20** to the mass spectrometer **23**. This allows use of ionization probes **26** that may be freely moved around to scan one or more surfaces of interest **28**. For example, at an airport, this ionization probe may be used by a security office at a check point to scan for traces of explosive materials on passengers, cargo, or luggage. In a rover for planetary exploration in space application, such a configuration enables placing the ion source **26** on a robotic arm and placing the mass spectrometer **23** on a body of the rover. The ion source **26** may be used in a manufacturing line to monitor for the quality or contamination of produced products, such as pharmaceutical products in the production line with one or more ionization sources **26** connected with one or more ion transfer devices **20** to one or more mass spectrometers **23**. The ion transfer device **20** may have a plurality of bend positions **12a**, **12b**, **12c**, **12d** around which the ion transfer device **20** may form curvatures.

FIG. 2E and FIG. 2F show two block diagrams of a mass spectrometry system such that the ion source **21** is detached from the ion guide **13** and the ions are transferred to ion guide **13** via a re-configurable ion transfer device **20** in accordance with one or more embodiments of the present disclosure. The flexible ion transfer device **20** may have an adapter **14** (including one or more electrodes such as skimmer and sample cones disposed inside, or conventional ion funnels and ion guides) that connects to the ionization probe **21** and efficiently transfers ions from the ionization probe **21** to the flexible ion transfer device **20**. The adapter **14** may also include the electronics necessary to operate the ion transfer device **20**, including direct current (DC), alternating current (AC), or radio frequency (RF) voltages for operation of the ion transfer device **20**. In one embodiment, the ion transfer device **20** may be connected to a second adapter **16** that connects the ion transfer device **20** to an ion guide **13** of a mass spectrometer. The second adapter **16** may be used to attach the ion transfer device **20** to the mass spectrometer in a vacuum-tight manner while efficiently transferring the ions from the ion transfer device **20** to the mass spectrometer. The second adapter **16** may include electronics necessary to operate the ion transfer device **20** (such as RF and DC voltage power supplies and the related control unit for controlling the power supplies) or may include one or more electrodes floated at a voltage (such as skimmer and sample cones, or one or more conventional ion funnels) for efficient transfer and extraction of ions from the ion outlet of the ion transfer device **20** to the ion guide **13** of the mass spectrometer. The first adapter **14** or the second adapter **16** may include electronics and other components necessary to operate the ionization source **21**, for example, connectors, electronics for plasma ionization, liquid reservoir for electrospray ionization or laser modules with fiber optics that may be attached to the outer diameter or may be implemented along the ion transfer device **20** for laser desorption/ionization, or a combination of them. Related wires and optical fibers may be attached to the ion transfer device **20** to reach the ionization source **21** from the mass spectrometer or the adapter **16**. This is advantageous for reducing the weight and size of the ion source **21** that may be an ionization probe **26** used by an operator, which require reduced weight for easy handling by the operator.

FIG. 3A shows a block diagram of a mass spectrometry system such that the three ion sources **21a-c** are attached to a mass spectrometer via a re-configurable ion transfer device **20** in accordance with one or more embodiments of the present disclosure. Three ionization sources **21a-c**, which may be different or the same located at three different locations, are connected to an ion guide **13** of a mass

16

spectrometer. The ionization sources **21a**, **21b**, **21c** may be different or the same. One or more ionization sources **21a**, **21b**, **21c** may be connected to one or more sample preparation devices **29** to prepare the samples for ionization. For example, the ionization sources **21a**, **21b**, **21c** may be connected one or more sample preparation or separation instruments, such as a high-pressure liquid chromatography system (LC or HPLC system) or a gas chromatography (GC) system to separate analytes before analysis with the mass spectrometer. The ion sources **21a**, **21b**, **21c** are operated in a multiplexed manner and each ion source has a periodic allocated time frame to introduce ions into the mass spectrometer via the corresponding ion transfer tube that is attached to the ion source for analysis. In the present disclosure, the combination of the ion guide **13** the mass analyzer **15** and the detector **17** may be referred as the mass spectrometer. This configuration provides the advantage that a single mass spectrometer may be used to analyze different sample located in different places and coming from different separation or sample preparation instruments as described above. Because analysis by a mass spectrometer is performed in milliseconds to seconds, thus such multiplexing greatly enhances optimal use of mass spectrometers by continuously and sequentially providing ions from different locations/instruments or ionization sources **21a**, **21b**, **21c** to the mass spectrometer for analysis.

FIG. 3B shows a block diagram of a mass spectrometry system such that the three ion sources **21a-21c** are attached to two mass spectrometers via re-configurable ion transfer devices **20a-e** in accordance with one or more embodiments of the present disclosure. The ion processor **30** (also referred to as the ion manipulation device in the present disclosure, an example of which is described in U.S. Pat. No. 9,966,244 for lossless ion manipulation (SLIM)) may be used to selectively transfer the ions received from three ionization source **21a**, **21b**, **21c** respectively connected to three flexible ion transfer devices **20a**, **20b**, **20c** to the ion processor **30**. The ion processor **30** then selectively transfers the ions via two flexible ion transfer devices **20d**, **20e** to two different mass spectrometers: the first mass spectrometer including the ion guide **13a**, the mass analyzer **15a** and the detector **17a**, and the second one including the ion guide **13b**, the mass analyzer **15b** and the detector **17b**, as shown in FIG. 3B. The ion processor **30** may trap, store, process (for example separate ions based on their mobility), and selectively transfers ion packets into these two mass spectrometers.

FIG. 4A shows a block diagram of an ion transfer device **20** in accordance with one or more embodiments of the present disclosure. The ion transfer device **20** may include an electrode unit **31** (each electrode unit may comprise one or more independent conductive electrodes as disclosed in the present application) connected to one or more voltages. The ion transfer device **20** may include an ion transfer enclosure **71**. The ion transfer enclosure **71** may be a tube made from plastic or metal connected to a voltage or ground in case the tube is made from metal or conductive plastic. The enclosure **71** may be a plurality of tubes. The tube may be corrugated or in bellow form to allow flexible bending of the tube and the ion transfer device **20** to produce a plurality of curvatures. The tube may be constructed from one or more heat-shrink tubes. The ion transfer enclosure **71** (or simply referred to as the enclosure) maintains the one or more electrode units **31** in reduced pressure (or intermediate pressure below 760 Torr) and also provides a mechanical structure to support the electrode unit **31**. The pressure level inside the enclosure **71** may be maintained between in a

17

range from 0.0001 Torr to 750 Torr, for example in a range from 0.1 to 10 Torr. A vacuum pump may be connected to the enclosure 71 as with a T connector with an ion inlet (shown as ions in) and an ion source, with a T connector at an ion outlet (shown as ions out) or one or more locations in between the ion inlet or the ion outlet along the enclosure 71, for example, in a middle portion of the enclosure 71. The pressure inside the ion transfer device 20 may be the same or different at different locations inside the enclosure 71 along the ion transfer device 20. The pressure inside the enclosure may be in a range from 0.01 to 30 Torr. The electrode unit 31 may be flexible for flexible bending along with the ion transfer enclosure 71. The ion transfer device 20 may include one electrode unit 31 having two or more electrodes, which may be flexible electrodes, such as those shown, and described later in the present application, for example, in FIG. 14A, FIG. 14B, FIG. 14C, FIG. 15A, FIG. 15B, FIG. 15C, and FIG. 16. In other embodiments, the one electrode unit includes a plurality of electrodes that are flexibly connected to each other or the enclosure 71, examples of which are shown in FIG. 6A, FIG. 6B, FIG. 6C, and FIG. 6D described later in the present application. The enclosure 71 may be bent to have two or more different shapes or forms to have a plurality of curvatures (which may also be referred to as a plurality of twists, arcs, or curves).

FIG. 4B and FIG. 4C show two block diagrams of embodiments of the ion transfer device 20 in accordance with one or more embodiments of the present disclosure. The ion transfer device 20 may include a plurality of electrode units 31a-c in FIG. 4B or 31a-j in FIG. 4C that are connected to each other. Each of the plurality of electrode units 31a-j may comprise a plurality of electrodes, which may be flexible electrodes, such as those shown, and described later in the present application, for example, in FIG. 14A, FIG. 14B, FIG. 14C, FIG. 15A, FIG. 15B, FIG. 15C, and FIG. 16. In other embodiments, the ion transfer device 20 may include a plurality of electrodes that are flexibly connected to each other or the enclosure 71, examples of which are shown in FIG. 6A, FIG. 6B, FIG. 6C, and FIG. 6D described later in the present application. The plurality of electrode units 31a-j and the enclosure 71 may be flexible or bendable or reconfigurable from a first shape or configuration to a second shape or configuration. In one or more embodiments, the plurality of electrode units 31a-j may be not flexible or re-configurable but flexibly connected to each other, such as those shown in FIG. 7A, FIG. 7B, FIG. 11B, FIG. 11C, FIG. 12A, FIG. 12B, and FIG. 13.

FIG. 4D shows a block diagram of an ion transfer device in accordance with one aspect of the present disclosure. In one embodiment, a plurality of connecting electrodes segments 41a-d, which are electrically isolated from the plurality of electrode units 31a-j, and may be individually connected to different voltages, connect the plurality of electrode units 31a-c. In one embodiment, the plurality of connecting electrodes segments 41a-d may ensure efficient transfer of ions between two neighboring electrode units (31a and 31b) or (31b and 31c). The plurality of connecting electrodes segments 41a-d may be in form of skimmer cones or conductance limiting orifices and similar structures used in differential pumping in conventional mass spectrometers. In other embodiments, the plurality of connecting electrodes segments 41a-d, may be one or more conductance limiting orifices or a plurality of capillary tubes.

FIG. 5A, FIG. 5B, and FIG. 5C show three block diagrams of different embodiments of the ion transfer device 20 connections to the mass spectrometers 50, 52, 55 in accordance with one or more embodiments of the present disclo-

18

sure. The ion transfer device 20 may include a plurality of electrode units 31a-j, as described above, that are connected to each other. Each of the plurality of electrode units 31a-j may be flexible or may be rigid and flexibly connected to each other, as described above, and are located inside the enclosure 71. The plurality of electrode units 31a-j and the enclosure 71 may be bent to have two or more different shapes or forms and may be reconfigurable or flexible. The ion transfer device 20 may be connected at one end to the ion source probe 51 that may freely move in 3-dimensional space because of the flexibility of the ion transfer device 20. The ion source probe 51 may be flexibly moved around to bring the ion source probe 51 close to sample or object under test to be analyzed. Further, the ion transfer device 20 may be connected to ion guide and mass analyzer of a mass spectrometer 50.

In one embodiment shown in FIG. 5B, an ion processor 54 may be included and the ion processor (as describes above regarding U.S. Pat. No. 9,966,244) may be connected to the ion source probe 53 on one end and the mass spectrometer 52 on the other end using two different ion transfer devices 20a and 20b so that flow or pre-separation of ions (based on their ion mobility in the ion processor 54) may be controlled. FIG. 5C is similar to FIG. 5B with the difference that the ion processor 59 is connected to two different ion sources 56a, 56b, and multiplexes the ions received from these two ion sources to the mass spectrometer 55.

FIG. 6A, FIG. 6B, FIG. 6C, and FIG. 6D show perspective views of an embodiment of the flexible or re-configurable ion transfer device 20 in accordance with one or more embodiments of the present disclosure. In one or more embodiments, the plurality of electrodes 63 each having a central hole 65 (of the same or different diameter, in one embodiment ascending or descending diameters, which may also act as conductance limiting orifice to limit gas flow between two adjacent electrode units and provide differential pressure in two adjacent electrode units) may be connected to each other using flexible or elastic rods 61a-d, which go through a plurality of holes 62 provided on each of the plurality of the electrodes 63. The plurality of electrodes 63 are disposed inside a flexible tube or enclosure 67. (The tube or enclosure 67 is not shown in FIG. 6C, FIG. 6D, FIG. 7A, and FIG. 7B for simplicity of illustration). This configuration allows the plurality of the electrodes to form one or more curvatures around an axis 66 of the ion transfer device 20, as shown in FIG. 6C and FIG. 6D. The plurality of electrodes 63 each may have one or more electrical connection 68 to apply different voltages, such as RF voltages VRF1 and VRF2, and DC voltages, VDC1 and VDC2. The plurality of electrodes 63 may be made from any metal (stainless steel, nickel, copper, gold, or any other metal with or without coatings) or any conductive material such as conductive plastic. The spacing between the electrodes may be different or may be the same and may be a value between 0.1 mm to 10 mm. The thickness of electrodes may be different or may be the same and may be a value between 0.01 mm to 5 mm.

RF voltages may be applied by connecting a plurality of capacitors 70a, 70b in series to the electrical connections 68, which are connected to electrodes 63, as shown in FIG. 6A and FIG. 6B. The capacitors 70a, 70b may have a value of 1 to 1000 pF. The DC voltages may be applied by connecting resistors in series with the electrical connections 68, as shown in FIG. 6A. The resistor value may be 0.01 M to 10 M Ohms.

The capacitors and resistors may be connected by connectors, soldering, or spot-welding to the electrodes 63 or

the electrical connections **68** instead of using the electrical connections **68**. Alternatively, the capacitors **70a**, **70b** and resistors **69** may be assembled on a separate flexible or rigid printed circuit board (PCB) and connected to the electrodes, as shown in FIG. **8A**, FIG. **8B**, and FIG. **8C** as described later in the present application.

Application of DC voltage may be to the first and last electrodes of the plurality of electrodes **63**, as shown in FIG. **6A** by annotations VDC1 and VDC2. In one embodiment shown in FIG. **6B**, each electrode of the plurality of electrodes **63** is connected to a separate controllable and addressable DC voltage (VDC1 to VDC9) to provide different voltages to each of the plurality of electrodes **63**. The DC voltage may be any value from 1 to 500 volts or greater than 500V. The RF voltages may be applied as two out of phase RF voltages respectively connected to odd and even electrodes (VRF1 and VRF2). The amplitude of the RF voltage may be any value from 1 to 500 volts or greater than 500V. The frequency of the RF voltage may be any frequency from 50 KHz to 20 MHz. Preferably the RF and DC voltages should not cause gas breakdown at the pressure that the ion transfer device **20** is operating at.

In one or more embodiments, the plurality of electrodes **63** are connected to each other as shown in FIG. **6A** but instead of using the flexible or elastic rods **61a-d**, a plurality of electrically insulating structures (for example elastic or rigid Viton or PTFE O-rings or any similar material) are placed in between each two electrodes of the plurality of electrodes **63** (similar to the electrically insulating structures shown by annotations **92a-d** in FIG. **9A** and FIG. **9B**). Each of the electrically insulating structures, such as each O-ring, may be glued to one side of each electrode **63** to hold the electrically insulating structures in place. This helps in prevent the electrically insulating structures from moving or being exposed to the ions passing through the ion transfer device **20**, which may create charging problems if they end up on dielectric materials. In the flexible ion transfer device **20**, the electrically insulating structures are preferably not exposed to the ions to avoid charging effects, which results from accumulation of charged particles on the electrically insulating structures, and may reform the shape of electric fields, and therefore ion trajectories. Therefore, the inner diameters of the electrically insulating structures are larger than the diameter of the holes **65**, **72**, **83** or **94** so that if charge accumulation occurs (for example on the electrically insulating structures shown by annotations **92a-d** in FIG. **9A** and FIG. **9B**), the charge accumulation do not adversely affect the electric fields inside the ion transfer device **20**. In one embodiment, the resistors and capacitors are directly connected to the electrodes **63** without the electrical connections **68**, similar to those shown in FIG. **8A**, FIG. **8B**, and FIG. **8C** and the corresponding description later in this application.

To assemble the structure, the plurality of electrodes **63** and the electrically insulating structures may be assembled on a cylindrical holder (not shown), and then upon assembly of the electrodes and connecting the necessary electrical connections and components (resistors and capacitors), the assembly may be inserted into a heat-shrink tube (which is shown by annotation **67** in one or more embodiments) so that by application of heat, the heat-shrink tube **67** to shrink and hold the assembly in place. Then, the cylindrical holder may be removed. Such an assembly with heat-shrink tube holds the electrodes firmly in place and also provides flexibility and re-configurability. Further, using heat-shrink tubing may eliminate the need for having electrically insulating structures (for example annotations **92a-d** in FIG. **9C**)

in between the electrodes to keep the electrodes separate as the heat-shrink, upon application of heat and shrinking, holds the electrodes in place and acts like electrically insulating structures to make the electrodes in place while providing the flexibility as disclosed in the present application, as shown in FIG. **9C**, in which the heat-shrink tube shrink into the area in between two adjacent electrodes **91**.

FIG. **7A** and FIG. **7B** show perspective views of the flexible or re-configurable ion transfer device **20** in accordance with one or more embodiments of the present disclosure. In this exemplary embodiment, instead of having all of the plurality of electrodes flexibly attached to each other (like those embodiments shown in FIG. **6A**, FIG. **6B**, FIG. **6C**, and FIG. **6D**), the ion transfer device **20** may include electrode assemblies (or units) **77a**, **77b**, **77c** in which the electrodes **74** are rigidly attached to each other, and the electrode units **77a**, **77b**, **77c** (electrode units are also referred to as electrode assemblies in the present disclosure) are flexibly attached to each other. The plurality of electrodes **74** each having a central hole **72** may be connected to adjacent electrodes using rigid rods **61a-d**, which go through a plurality of holes **72** provided on each of the plurality of the electrodes **74**. In other embodiments, the electrodes **74** may be fixed to each other with glue, epoxy, or screws while maintaining a predetermined spacing in a range of 0.05 to 5 mm between the electrodes **74**. The electrode assemblies (units) **77a**, **77b**, **77c** are flexibly attached to each other and provide the flexibility.

FIG. **8A**, FIG. **8B**, and FIG. **8C** show front views of three embodiments of the electrodes of the flexible or re-configurable ion transfer device **20** in accordance with one or more embodiments of the present disclosure. In one embodiment shown in FIG. **8A**, a printed circuit board (PCB) electrode **82** of the plurality of electrodes may be made with PCB. The PCB electrode **82** may include a plurality of holes **81a-d** that provide a path for the rods **61a-d**. A center hole **83** in the PCB electrode **82** provides a path for ions in the center area of the PCB electrode **82**. Around the center hole **83**, a metal track **84** acts as a conductive electrode for application of voltages to produce electric fields in and around the center hole **83** necessary for transferring ions. The metal track **84**, which may be copper, or gold-immersion electrodes used in PCB manufacturing similar to through-hole assemblies well-known in PCB production but with much larger diameter. The diameter of the hole **83** may be a value between 0.2 inches to 10 inches. A resistor **86a** and a capacitor **86b** may be assembled on the PCB electrode **82** to provide the necessary DC voltage and RF voltage, respectively. A plurality of connectors **85a-b** connect to adjacent PCB electrode **82** or DC and RF power supplies to provide the required voltages.

In one embodiment shown in FIG. **8b**, a PCB electrode **82** of the plurality of electrodes **63** may be circular shape. One of ordinary skill in the art would recognize that the electrodes may be made in any arbitrary shape. In one embodiment shown in FIG. **8C**, a PCB electrode **82** of the plurality of electrodes **63**, instead of a plurality of holes **81a-d** that provide a path for the rods **61a-d** (as shown in FIG. **8A** with annotations **81a-d**), the PCB electrode **82** may include a plurality of electrically insulated structures **88a-d** to flexibly connect two adjacent PCB electrodes **82**. The plurality of electrically insulated structures **88a-d** may be made with pogo-pins, or elastic balls, or O-rings attached to the board.

FIG. **9A**, FIG. **9B**, FIG. **9C**, FIG. **9D**, and FIG. **9E** show cross section views of electrodes **91** of the flexible or re-configurable ion transfer device **20** connected to each other in accordance with one or more embodiments of the

present disclosure. The electrodes **91** may be stacked on each other, as shown in FIG. **9A** and may be centered around an axis **96**, which may cross the centers of holes **94** on electrodes **91**. A plurality of spacers **92a-d** may be placed in between the electrodes **91** to provide the required spacing between electrodes and also the re-configurability and flexibility. The electrodes **91** may include a resistor **95** and capacitor **93**. This configuration provides flexibility for the ion transfer device **20**. The electrodes **91** each having an electrode axis **96a-c** may be flexibly bend around the axis **96**. The degree of bending is defined as the angle between the axis **96** and each electrode axis **96a-c** corresponding to the plurality of electrodes **91**. The degree of bending may be any value between 0.0001 to 5 degrees for each electrode **91**. In some embodiments, only some of the electrodes **91** may bend around the axis **96**. In some embodiments, instead of employing the plurality of spacers **92a-d**, a heat-shrink tube **99** may keep the electrodes **91** in place (electrically separated from each other) while maintaining flexibility. In other embodiments, both the plurality of spacers **92a-d**, and heat-shrink tube **99** may keep the electrodes **91** in place while providing flexibility. The heat-shrink tube may also serve as the enclosure **71** to maintain the electrodes **91** in reduced pressure as disclosed earlier in the present application. Although FIG. **9C** shows only one layer of heat-shrink tube **99**, but one or more layers of heat-shrink tube **99** may be provided to adjust flexibility and the pressure inside the ion transfer device **20**. In one embodiment, a plurality of wires, which may be disposed outside or inside the enclosure **71** (which may be for example the heat-shrink tube **99**) provide required electrical radio frequency (RF), or direct current (DC) voltages (or constant voltage). The voltages may be provided in pulsed mode, with pulse durations of, for example, 0.1, 0.5, 1, 5, 10, 100, or 1000 milliseconds. The pulsed voltages may be periodic, having a period of 0.01, 0.1, 0.5, 1, or 2 seconds, or more than 2 seconds. In other embodiments, a plurality of heat-shrink tubes may be provided, and the electrical wires may be disposed in between the layers of the heat-shrink tube.

In one or more embodiment shown in FIG. **9D** and FIG. **9E**, instead of using the plurality of spacers **92a-d** (as shown for example in FIG. **9A**), the electrodes **91** may have matching extrusions **97, 98** on two sides of the electrode **91** that are engaged with corresponding matching extrusions **97, 98** of adjacent electrodes **91**, as shown in FIG. **9D** and FIG. **9E**, to provide flexibility as disclosed in the present application. One of ordinary skill in the art would recognize that this structure may be manufactured by separate electrodes **91** flexibly connected to each other and having many degrees of freedom such as those found in "snake robots" having many degrees of freedom or may be manufactured by rolling a structure having matching extrusions **97, 98** similar to those used in conventional flexible electrical conduits.

FIG. **10A** and FIG. **10B** show perspective views of individual electrodes of the flexible or re-configurable ion transfer device **20** in accordance with one or more embodiments of the present disclosure. For simplicity of illustration, the enclosure is not shown in these figures. FIG. **10A** and FIG. **10B** show a multipole ion guide that includes a plurality of rods **103** connected to DC and/or RF voltages. Multiple ion guides may have any even number of rods, such as four, six, eight, etc that are hold in place with a plurality of rod holders **102, 104**. Two conductance limiting plates **101, 105** having an orifice **107** are attached at the two ends to the rod holders **102, 104**. The conductance limiting plates **101, 105** may be connected to DC or RF voltages (for example at a frequency of 0.1 MHz to 10 MHz). A plurality

of electrically insulating pieces **106** (which may be made by elastic materials such as Viton) may be connected to the conductance limiting orifices **107** to provide flexibility. The odd and even numbers of the plurality of rods **103** are respectively connected to two out of phase RF voltages. A DC offset voltage may be applied to all of the rods **103**.

FIG. **11A**, FIG. **11B**, and FIG. **11C** show perspective views of three electrodes of the flexible or re-configurable ion transfer device **20** connected to each other in accordance with one or more embodiments of the present disclosure. In one embodiment, the ion transfer device **20** may be constructed with multipole ion guides (each acting as one electrode unit) flexibly attached to each other. A plurality of individual electrodes (each electrode including the components as shown in FIG. **10A** and FIG. **10B**) may be connected to each other as shown in FIG. **11A**, FIG. **11B**, and FIG. **11C** to provide a flexible ion transfer device **20**. The two conductance limiting plates **105** on two adjacent electrodes are connected to each other with the plurality of electrically insulating pieces **106** placed in between to provide flexibility. In another embodiment, the two electrodes or multipole ion guide structures may be connected to each other with the structure shown in FIG. **9A** and FIG. **9B** to provide flexibility. Heat-shrink tubes may also be used as enclosure and are not shown for simplicity of illustration.

FIG. **12A** and FIG. **12B** show perspective views of seven electrodes of the flexible or re-configurable ion transfer device **20** connected to each other in accordance with one or more embodiments of the present disclosure. In one embodiment, the electrodes may have a plurality of curvatures or bends around an axis **110** of the ion transfer device **20**. The enclosure is not shown in this figure for simplicity of illustration. The flexibility of this structure may be similar to those shown in FIG. **7A** and FIG. **7B**.

FIG. **13** shows a perspective view of two electrodes of the flexible or re-configurable ion transfer device **20** connected to each other in accordance with one or more embodiments of the present disclosure. In one embodiment, the multipole ion guides may include a plurality of rods **130** that are hold in place with a rod holder **131**. To provide flexibility, the rods **130** of the two adjacent electrodes are connected flexibly to each other as shown in FIG. **13** with a plurality of connecting pieces **132**. The plurality of conducting pieces connect two corresponding rods **130** to each other. The plurality of connecting pieces **132** may be conductive or electrically insulating, which may be made by, for example, connecting the rods with flexible epoxy. In another embodiment, the plurality of rods **130** may be flexible while maintaining a constant or semi-constant distance between two adjacent rods in an electrode assembly to provide a flexible ion transfer device **20**.

FIG. **14A**, FIG. **14B**, and FIG. **14C** show perspective views of an enclosure and two different electrode geometries of the flexible or re-configurable ion transfer device **20** in accordance with one or more embodiments of the present disclosure. FIG. **15A**, FIG. **15B**, and FIG. **15C** show perspective views of three embodiments of the flexible or re-configurable ion transfer device **20** in accordance with one or more embodiments of the present disclosure. In one embodiment, the enclosure **21** may be made of a flexible tube **141** having an inner surface **142** as shown in FIG. **14A**. A plurality of ring electrodes **145**, as shown in FIG. **14B**, are connected to a plurality of DC and RF voltages (not shown for simplicity of illustration) may be disposed inside the flexible tube **141** to provide the ion transfer device **20**. Each of the plurality of ring electrodes **145** may include an inner surface **143** and an outer surface **144**. The outer surface **144**



may be disposed on the inner surface **142** of the flexible tube **141** to provide an ion transfer device **20** as shown in FIG. **15A**. In another embodiment, a plurality of elongated electrodes **148** (any even number of electrodes) having an outer surface **147** and an inner surface **146** may be disposed in the flexible tube **141**. FIG. **15B** shows an example of the ion transfer device **20** according to this exemplary embodiment. The ring electrodes **145** and the elongated electrodes **148** are flexible and may bend when the flexible tube **141** bends. The flexible tube **141** may be made with a heat-shrink tube that has a sticky inner surface **142** for sticking to the outer surface **144** of the ring electrodes **145** or the outer surface **147** of the plurality of elongated electrodes **148** to the inner surface **142** of the flexible tube **141**. FIG. **15C** show a cross section of another embodiment of a flexible ion transfer device **20** which may be made with bellow tube **151** and a plurality of electrodes **152** may be placed inside the bellow tube **151**. In this embodiment, a plurality of ground electrodes **153** prevent ions from charged build-up on the bellow tube **151**. Although these embodiments are shown in straight form, one of ordinary skill in the art, in view of the present disclosure, would understand and appreciate that these structures provide flexibility and may be bent to any form or shape similar to a conventional hose.

FIG. **16** shows a perspective view of electrode geometry in an embodiment of the flexible or re-configurable ion transfer device **20** in accordance with one or more embodiments of the present disclosure. The flexible ion transfer tube **20** may be constructed with two wires **161**, **162** (or a plurality of the two wires **161**, **162**) that are wound around an axis **163** into helix structures having a diameter with any value in the range of 0.2 to 6 inches. The two wires are connected to RF voltages at a frequency of 0.05 to 10 MHz and amplitudes of, for example, 50V. The amplitude may be any value between 1 to 1000V. The enclosure is not shown in FIG. **16** for simplicity of illustration but similar flexible tubes, or heat-shrink tubes disclosed earlier in the present application may be used. The ion transfer device **20** made with the electrodes shown in FIG. **16** is flexible and may have several curvatures along the length of the ion transfer device **20**. As noted above, the pressure of the ion transfer tube may be in the range of, for example, 0.001 to 760 Torr.

FIG. **17A** and FIG. **17B** show two side views of ion trajectory simulation in an embodiment of the flexible or re-configurable ion transfer device **20** in accordance with one or more embodiments of the present disclosure. Ion trajectory simulations were performed with SIMION® software and the results are shown in FIG. **17A** (side view) and FIG. **17B** (top view). The simulations were performed in a pressure of 1 Torr and the simulation results demonstrated that the electrodes effectively trap the ions, producing an ion cloud **164**, for a long period of time. The simulations were performed in a bent structure of FIG. **16** around an axis **163**. A variety of RF voltages were applied at different frequencies and voltages and the structure was functional in a wide range of parameters (voltage and amplitude of the RF voltage) and pressures (0.01 to 30 Torr).

FIG. **18** shows RF and DC voltage waveforms applied to the electrodes of the flexible or re-configurable ion transfer device in accordance with one or more embodiments of the present disclosure. In the five sequential graphs shown in FIG. **18**, the times are shown by **t1** to **t5**, **t1** graph being the first wave form of the sequence and **t5** being the last wave form of the sequence. The time period between each graph may be the same or different. For example, the time differ-

ence between **t1** and **t2** may be in the order of milliseconds (ms) or seconds (s), and may be any value between 0.1 ms to 10 s.

The electrode units **31a-d** may comprise any electrode configuration, geometry, shape, or form disclosed in the present application. The plurality of electrode units **31a-d** may be those disclosed in FIG. **6A**, in which every even and odd electrode is connected to two out of phase RF voltages respectively. Two out of phase RF voltages are applied to two adjacent electrodes. For example, in a multipole ion guide, one of the two out of phase RF voltages is applied to every other electrode and the other of the two out of phase RF voltages is applied to the remaining electrodes. RF voltages of the ion transfer device **20** pushes the ions radially toward the centerline or an axis of the ion transfer device **20** as disclosed and shown above in exemplary embodiments, and as for example shown in the simulation results of FIG. **17A** and FIG. **17B**, which is an RF only simulation. The radial force is provided via an effective potential from RF voltages or waveforms on the electrodes. The RF waveforms effectively keep ions off the plates. The DC voltages push ions axially toward the two ends of the ion transfer device **20**. The applied RF voltages trap ions around an axis and inside the ion transfer device **20**.

In FIG. **18**, DC voltages are illustrated with solid lines and the RF voltages are illustrated with a sine or zigzag waveform. Although the DC and RF voltages are illustrated separately for simplicity of illustration, one of ordinary skill in the art would understand that these two wave forms may be combined, superimposed or added by application of the RF voltages via a capacitor to the DC voltages. The DC voltage sources providing the DC voltages may require RF chokes to prevent the RF voltage from penetrating into the DC power supply. The DC voltages may also be regarded as the DC offset voltage applied to the RF voltage. The RF voltage (two out of phase sin waveform applied for radially pushing the ions towards a center of the ion transfer device **20**) may always be present in the electrodes of the ion transfer device **20**. Alternatively, the RF voltage may only be present when ions exist in the related electrodes of the ion transfer device **20**.

The term “electrode unit” in the present application is defined as a number of electrodes that contain an ion packet, for example ion **1** or ion **2** as shown in FIG. **18**. Each of the electrode units **31a-d** is an electrode unit that may contain any number of electrodes but trap and contain an ion packet as described earlier in the present application.

In **t1**, two packet of ions, ions **1** and ions **2**, are held in DC potential wells created in electrode units **31a** and **31c** at **V1** voltage. The ions **1** and ions **2** may be from the same ion source or from different ion sources. Also, the ions **1** and ions **2** may contain the same or different types of ions obtained from the same or different samples by the ionization source. The DC voltage at electrode unit **31b** and **31d** are at **V3**, which is greater than **V1**. Therefore, the DC voltages of the electrode units **31b** and **31d** act as a potential barrier and prevent the two ions packets (which may be in the form of ion clouds or ion population) from mixing with each other. The values of DC voltages may be any positive value in a range from 0.1V to 1000V.

In **t2**, the DC voltage of the electrode unit **31d** is reduced from **V3** to **V1**, thus allowing the ions **2** to axially expand to the adjacent electrode unit **31d** (the ions are still radially contained with the RF voltages—in fact, the ions **1** and ions **2** are always contained in the centerline by RF voltages as described above). The potential well of the electrode **31b** prevents the ions **1** and ions **2** from mixing with each other.

25

In **t3**, the DC voltage on electrode unit **31c** is increased from **V1** to **V3** thus forcing or pushing the ions **2** into the electrode unit **31d**. Therefore, the ions **2** are shifted one electrode unit to the right.

In **t4**, the DC voltage of the electrode unit **31b** is reduced from **V3** to **V1**, thus allowing the ions **1** to axially expand to **31b** electrodes. The potential well of the electrode **31c** prevents the ions **1** and ions **2** from mixing with each other.

In **t5**, the DC voltage on electrode unit **31a** is increased from **V1** to **V3** thus pushing the ions **1** into the electrode **31b**. Therefore, the ions **1** are also shifted one electrode unit to the right (where the ion outlet of the ion transfer device **20** is located in this exemplary embodiment).

During the sequences from **t1** to **t5**, two separate ion packets, ions **1** and ions **2** are shifted one electrode unit from the ion inlet side of the ion transfer device (on the left) to the ion outlet side of the ion transfer device **20** (on the right). Therefore, this sequence enables sequentially packing and efficiently transferring the ions or ion clouds via the flexible ion transfer device **20** without these ion packets being mixed. The ion transfer may be performed in a sequential manner and the ions, in the form of ion packets, may be transferred from the inlet to the outlet of the ion transfer device **20** sequentially. Further, this sequence also allows arrangement of ions produced from different ion sources or produced from the same ion source but from different samples, into ion packets. Although in each time frame of **t1** to **t5** of FIG. **18** the DC voltage values **V1** and **V3** are used, each electrode **31a-d** may have a different voltage value and they do not need to be necessarily the same.

FIG. **19** shows RF and DC voltage waveforms applied to the electrode unit **31** of the flexible or re-configurable ion transfer device **20** in accordance with one or more embodiments of the present disclosure. The RF and DC voltages are described in detail with respect to FIG. **18**, and the same description is applicable to FIG. **19**. The electrode **31** may comprise of a plurality of ring electrodes similar to those shown in FIG. **6A**, FIG. **6B**, and FIG. **6C**. In exemplary embodiment shown in FIG. **19**, DC voltages are individually controlled and applied to each electrode of the electrode unit **31**. In the following, the applications and shifting of ion packets are described for the electrode unit **31** with ring electrodes similar to those shown in FIG. **6A** but one of ordinary skill in the art would understand and appreciate that the shifting of ion packets may also be realized with other electrode geometries of the ion transfer device **20** as disclosed in the present application.

In this exemplary embodiment, each electrode unit is one electrode, for example one ring electrode (shown in FIG. **6A**) is one electrode unit, and the shifting of the ion packets are performed in one electrode unit at each time period (**t1** to **t5**).

In **t1**, four packet of ions, ions **1**, ions **2**, ions **3**, and ions **4** (in the form of ion packets), are trapped separately by DC potential wells created in electrode unit **31** created by application of **V3** to four of the ring electrodes which are spatially separate (first group of ring electrodes of the electrode unit **31**). In FIG. **19** and at **t1**, first group of ring electrodes are held at DC voltage **V3** and the remaining electrodes are held at **V1**.

In **t2**, the ring electrodes adjacent and to the right of the first group of ring electrodes (second group of electrodes) are switched to **V3** from **V1**, and shortly after, the first group of electrodes are switched to **V1**.

In **t3**, the ring electrodes adjacent and to the right of the second group of ring electrodes (third group of electrodes)

26

are switched to **V3** from **V1**, and shortly after, the second group of electrodes are switched to **V1**.

In **t4**, the ring electrodes adjacent and to the right of the third group of ring electrodes (fourth group of electrodes) are switched to **V3** from **V1**, and shortly after (for example tens of micro seconds to milliseconds or seconds), the second group of electrodes are switched to **V1**.

As a result, the ion packets move sequentially in the ion transfer device **20** from left (the ion inlet) to the right (the ion outlet) while keeping the ion packets separate, for example by a traveling DC voltage pulse while the RF voltages maintain the ions around an axis of the ion transfer device **20**.

The wave form of FIG. **19** is similar to the wave form of FIG. **18** with the difference that each electrode is individually connected to addressable DC voltages in FIG. **19**. In FIG. **18**, a group of electrodes are connected to the same DC voltage. Therefore, sequential transfer of ions according to FIG. **18** may require smaller number of individually addressable DC voltages compared to that described in FIG. **19**, as in the embodiment of FIG. **19**, all individual electrodes must be individually connected to controllable DC voltages.

FIG. **20** shows a flow chart of a method of transferring ions with the flexible or re-configurable ion transfer device in accordance with one or more aspects of the present disclosure. In one embodiment, a method for transferring ions includes producing ions from a sample in step **S1**, transferring the ions with at least one ion transfer device that is configured to be flexible or re-configurable in step **S2**, the ion transfer device having an enclosure, and a plurality of electrodes disposed at least in part inside the enclosure; separating the ions with at least one analyzer configured to separate the ions based on mobility or mass to charge ratio in step **S3**; and detecting the separated ions with at least one detector in step **S4**. The transferring of the ions may be realized by the method and application of the waveforms described with relation to FIG. **18** and FIG. **19** to the ion transfer device **20**.

FIG. **21** shows a block diagram of control unit **210** for ion transfer device **20** in more detail upon which an embodiment of the present disclosure may be implemented. The ion transfer device **20** may include or may be connected to one or more control units **210**. The control unit **210** includes a memory **211**, a processor **212**, an input/output (I/O) interface **213** that is connected to a display **214** and a keyboard **215**, an interface **217** that is connected to RF voltage generator **218** and DC voltage generator **219**. The control unit **210** includes one or more memory **211**, such as a random-access memory (RAM) or other dynamic storage device (e.g., dynamic RAM (DRAM), static RAM (SRAM), and synchronous DRAM (SDRAM)), coupled to the bus **216** for storing information and instructions to be executed by processor **212**. In addition, the one or more memory **211** may be used for storing temporary variables or other intermediate information during the execution of instructions by the processor **212**. The control unit **210** may further include a read only memory (ROM) or other static storage device (e.g., programmable ROM (PROM), erasable PROM (EPROM), and electrically erasable PROM (EEPROM)) coupled to the bus **216** for storing static information and instructions for the processor **212**. The control unit **210** may further include a communication interface **221** coupled to the bus **216**. The communication interface **221** provides a two-way data communication. For example, the communication interface **221** may be a network interface card to attach to any packet switched LAN. As another example, the

communication interface **221** may be an asymmetrical digital subscriber line (ADSL) card, an integrated service digital network (ISDN) card, a Universal Serial Bus (USB), or a modem to provide a data communication connection to a corresponding type of communications line. A wired or wireless network may further be connected to the communication interface **221** connected to one or more computers that provide one or more operators and/or users a platform to communicate with the control unit **210**. The control unit also includes an interface **217** that translates digital data received from the bus **216** and transmits instructions to one or more RF voltage generators **218** and one or more DC voltage generators **219**, which provide the RF and DC voltages for operation of the ion transfer device **20**. The RF voltage generators **218** and DC voltage generators **219** receive the instructions from the interface **217** and produce the voltages required by the ion transfer device **20**. In one embodiment, the interface **217** may also be connected to a mass spectrometer **220** that is connected to the ion transfer device **20** to, for example, synchronize to adjust the timing and multiplexing of the ion transfer process according to those described in relation to FIG. **18** and FIG. **19**. The interface **217** may also be connected to one or more ionization probes to synchronize production and transfer of ions from a sample.

While the present disclosure has been described above with respect to a limited number of embodiments, those skilled in the art, having the benefit of this disclosure, will appreciate that other embodiments may be devised which do not depart from the scope of the invention as disclosed herein. Accordingly, the scope of the invention should be limited only by the attached claims.

What is claimed is:

**1.** A system comprising:

a first analytical system that utilizes charged particles; a second analytical system that utilizes the charged particles; and

an ion transfer device that connects the first analytical system to the second analytical system, and transports the charged particles from the first analytical system to the second analytical system, the ion transfer device including:

a plurality of differential pumping stages that transport the charged particles from the first analytical system to the second analytical system;

a plurality of vacuum pumps that are connected to the plurality of differential pumping stages, the plurality of vacuum pumps maintaining one or more pressures or vacuum levels in the plurality of differential pumping stages; and

a plurality of ion guides that are located inside the plurality of differential pumping stages, the plurality of ion guides transporting the charged particles received from the first analytical system to the second analytical system, the plurality of ion guides being connected to radio frequency (RF) voltages, wherein the plurality of differential pumping stages connect the first analytical system on one end to the second analytical system on the other end to receive the charged particles from the one end connected to the first analytical system and transport and deliver the charged particles to the other end connected to the second analytical system.

**2.** The system according to claim **1**, wherein a conductance limiting orifice is located between at least two of the plurality of differential pumping stages adjacent to each other.

**3.** The system according to claim **1**, wherein at least one of the one or more pressures or vacuum levels is provided for collision of the charged particles with background gas.

**4.** The system according to claim **1**, wherein the plurality of ion guides are multipole ion guides.

**5.** The system according to claim **1**, wherein the plurality of differential pumping stages are made of one or more metal tubes or metal bellows.

**6.** The system according to claim **1**, wherein each differential pumping stage of the plurality of differential pumping stages increase or decrease the pressure or vacuum level from the first to the second analytical system.

**7.** The system according to claim **1**, wherein the ion transfer device receives the charged particles at a first vacuum level of the first analytical system and delivers the charged particles at a second vacuum level of the second analytical system, the second vacuum level being higher or lower than the first vacuum level.

**8.** The system according to claim **1**, wherein an ionization source receives biological samples, and ionizes the biological samples to produce the charged particles.

**9.** The system according to claim **1**, wherein one of the first analytical system or the second analytical system is a mass spectrometer.

**10.** The system according to claim **1**, wherein the system further comprises a charged-particle filter, an ion filter, a beam analyzer, a quadrupole filter, or a trapping charged particle analyzer.

**11.** The system according to claim **1**, wherein the charged particles are produced from biological samples.

**12.** An apparatus that connects two analytical systems, the apparatus comprising:

a plurality of differential pumping stages that transport ions from a first analytical system to a second analytical system of the two analytical systems;

a plurality of vacuum pumps that are connected to the plurality of differential pumping stages, the plurality of vacuum pumps maintaining one or more pressures or vacuum levels in the plurality of differential pumping stages; and

a plurality of ion guides that are located inside the plurality of differential pumping stages, the plurality of ion guides guiding ions received from the first analytical system to the second analytical system, and plurality of ion guides being connected to RF voltages,

wherein the plurality of differential pumping stages connect the first analytical system on one end to the second analytical system on the other end to receive the ions from the one end connected to the first analytical system and transport and deliver the ions to the other end connected to the second analytical system.

**13.** The apparatus according to claim **12**, wherein a conductance limiting orifice is located between at least two of the plurality of differential pumping stages adjacent to each other.

**14.** The apparatus according to claim **12**, wherein at least one of the one or more pressures or vacuum levels is provided for collision of the ions with background gas.

**15.** The apparatus according to claim **12**, wherein the plurality of ion guides are multipole ion guides.

**16.** The apparatus according to claim **12**, wherein the plurality of differential pumping stages are made of one or more metal tubes or metal bellows.

**17.** The apparatus according to claim **12**, wherein each differential pumping stage of the plurality of differential

29

pumping stages increase or decrease the pressure or vacuum level from the first analytical system to the second analytical system.

18. The apparatus according to claim 12, wherein the apparatus receives the ions at a first vacuum level of the first analytical system and delivers the ions at a second vacuum level of the second analytical system, the second vacuum level being higher or lower than the first vacuum level.

19. The apparatus according to claim 12, wherein an ionization source receives biological samples, and ionizes the biological samples to produce the ions.

20. The apparatus according to claim 12, wherein one of the first analytical system or the second analytical system is a mass spectrometer.

21. The apparatus according to claim 12, wherein the first or the second analytical system further comprises an ion filter, a beam analyzer, a quadrupole filter, or a trapping charged particle analyzer.

22. The apparatus according to claim 12, wherein the ions are produced from biological samples.

23. A method for transporting biological samples between two analytical systems, the method comprising:

providing a plurality of differential pumping stages for connecting a first analytical system on one end to a second analytical system on the other end of the plurality of differential pumping stages, the plurality of differential pumping stages receiving ions produced from the biological samples from an inlet located at the one end connected to the first analytical system, and the plurality of differential pumping stages transporting the ions to an outlet located at the other end connected to the second analytical system;  
 supplying RF voltages to a plurality of ion guides located inside the plurality of differential pumping stages;  
 supplying one or more direct-current (DC) voltages to the plurality of ion guides located inside the plurality of pumping stages; and  
 periodically increasing or decreasing one or more levels of the one or more DC voltages for moving the ions toward the outlet.

30

24. The method according to claim 23, wherein periodically increasing or decreasing the one or more levels of the one or more DC voltages, periodically produces at least a first potential profile having at least an ion-trapping potential well at least one longitudinal position between the inlet and the outlet.

25. The method according to claim 23, wherein the periodically increasing or decreasing the one or more levels of the one or more DC voltages is repeated with a period being a range between 1 millisecond to 10 seconds.

26. The method according to claim 23, further comprising:

providing background gas in at least one of the plurality of differential pumping stages for collision of the ions with the background gas.

27. The method according to claim 23, wherein a conductance limiting orifice is located between at least two of the plurality of differential pumping stages adjacent to each other.

28. The method according to claim 23, wherein each differential pumping stage of the plurality of differential pumping stages increase or decrease a pressure or vacuum level from the first analytical system to the second analytical system.

29. The method according to claim 23, wherein the plurality of differential pumping stages receive the ions at a first vacuum level of the first analytical system and deliver the ions at a second vacuum level of the second analytical system, the second vacuum level being higher or lower than, or equal to the first vacuum level.

30. The method according to claim 23, wherein one of the first or the second analytical systems is a mass spectrometer.

31. The method according to claim 23, wherein one of the first or the second analytical systems includes a charged-particle filter, an ion filter, a beam analyzer, a quadrupole filter, or a trapping charged particle analyzer.

\* \* \* \* \*